



## FEATURES | BENEFITS

- Hermaphroditic Contacts in both Plug and Receptacle
- Ideal for Solid State Drives (SSDs)
- 10 Gb/s per Differential Pair
- Precision, high strength molded terminations provide reliability in critical applications
- Low insertion force
- Designed to meet convection, IR or vapor phase reflow requirements
- RoHS Compliant
- Other sizes available upon request
- Can be manufactured in right angle or vertical mount configuration
- 5,000+ mating cycles
- Rugged & Durable

## SPECIFICATIONS

### ELECTRICAL:

- Current rating: 3 amp/contact (continuous)
- Contact resistance: 30 milliohm (max)
- Insulation resistance: >5x10 ohms 500 VDC
- Dielectric withstanding voltage: >1000 VAC (RMS) at sea level
- Impedance: 100 ± 5Ohms at 100 psec rise time
- Insertion Loss: < -1dB up to 5GHz for mated plug & receptacle pair
- Crosstalk (NEXT, one aggressor): < -40dB up to 5GHz
- Return Loss: < -20dB up to 5GHz for mated plug & receptacle pair

### MECHANICAL:

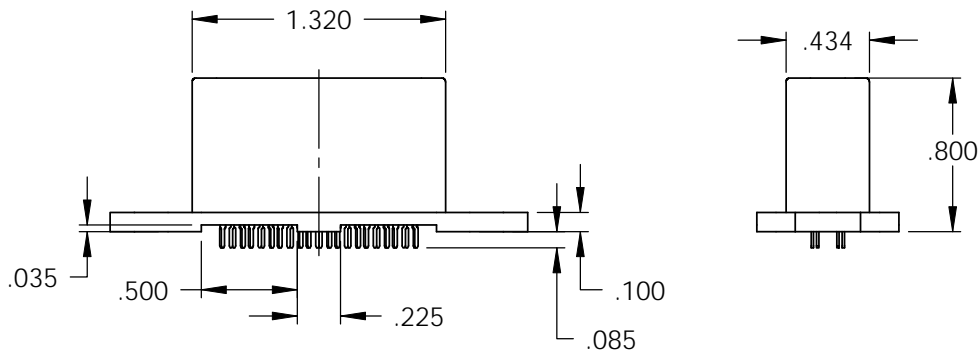
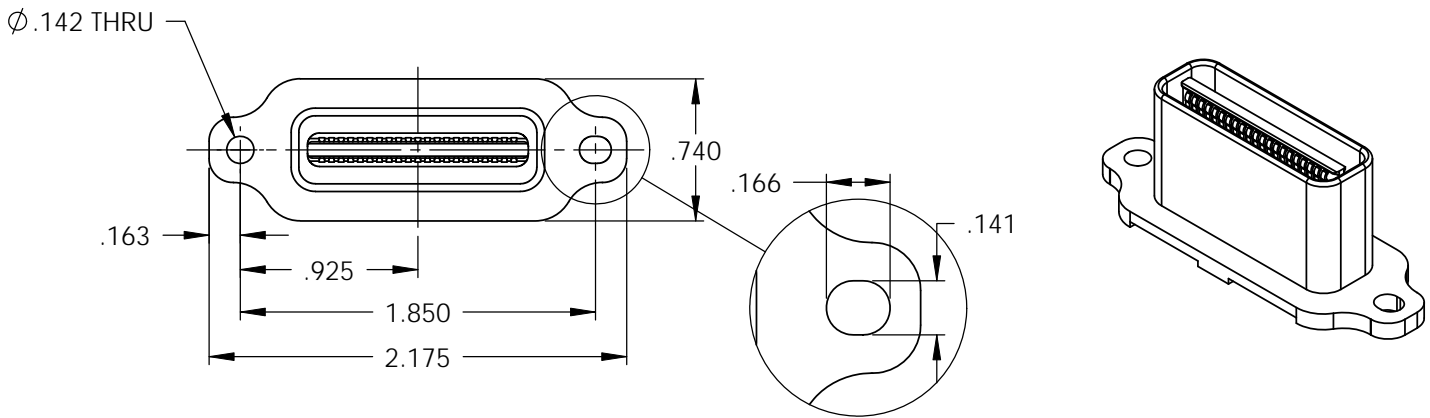
- Contact material: Copper alloy
- Plating: Mating End, Au Flash over 30µ min PdNi, over 50µ min Ni; Tail End, Au flash over 50µ min Ni.
- Insertion force: 30 grams/contact (nominal)
- Withdrawal force: 25 grams/contact (nominal)  
Normal force: 80 grams/contact (nominal)
- Dielectric material: Liquid crystal polymer resin

### ENVIRONMENTAL:

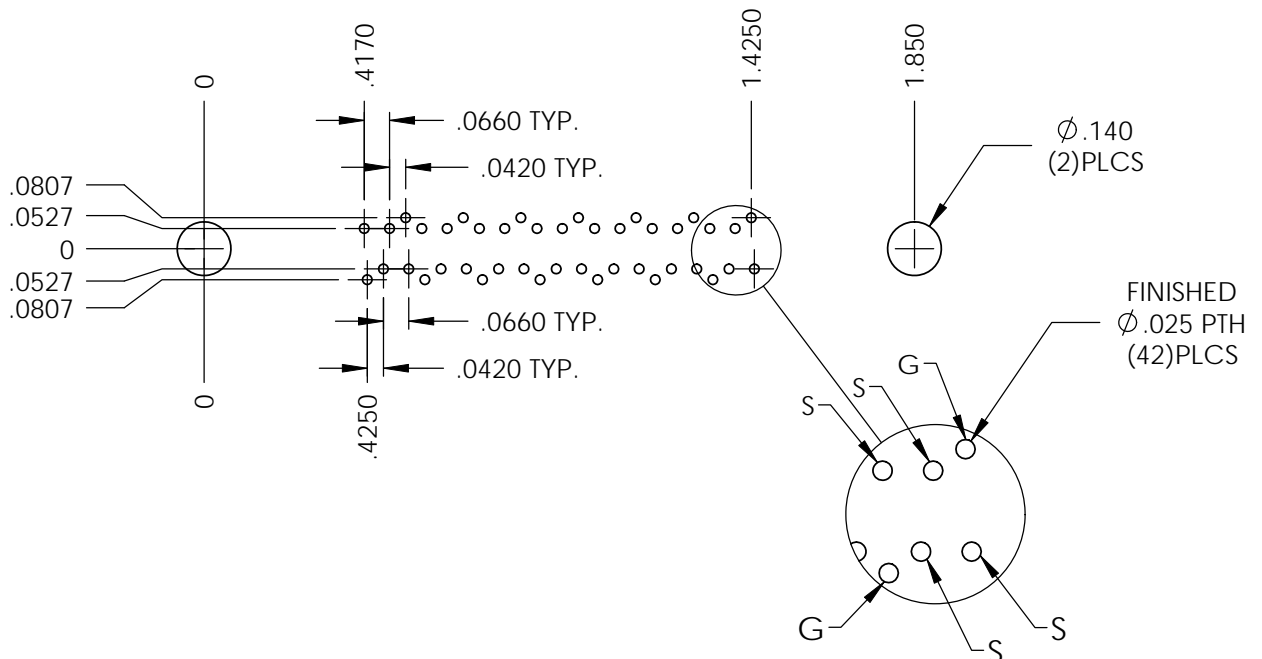
- Material: U.L. rated 94 V-O
- Operating temp range: -40°C to 105°C
- IP67

# HERMES™ Connector System

## Male Straight 42 Position



### RECOMMENDED BOARD LAYOUT

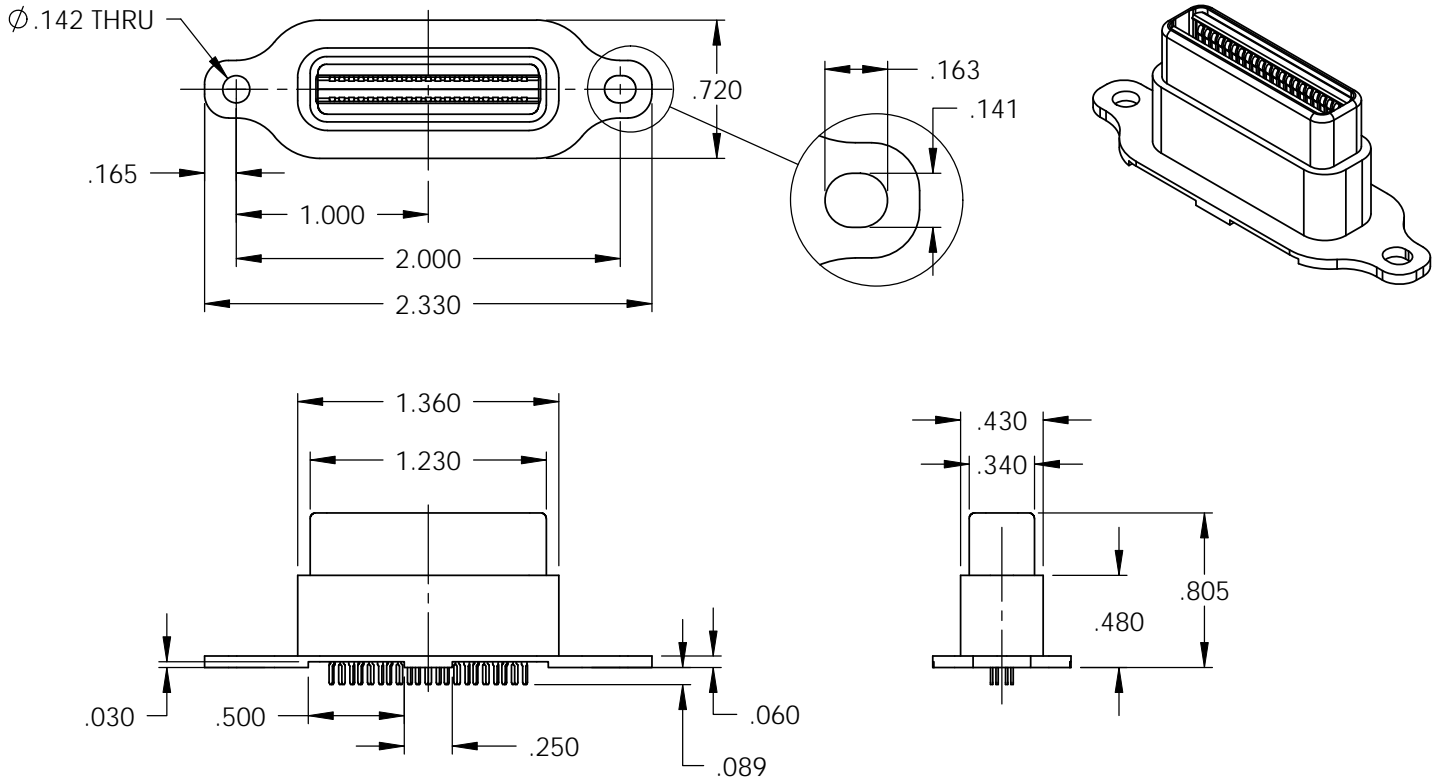


#### CONFIDENTIAL AND PROPRIETARY NOTICE

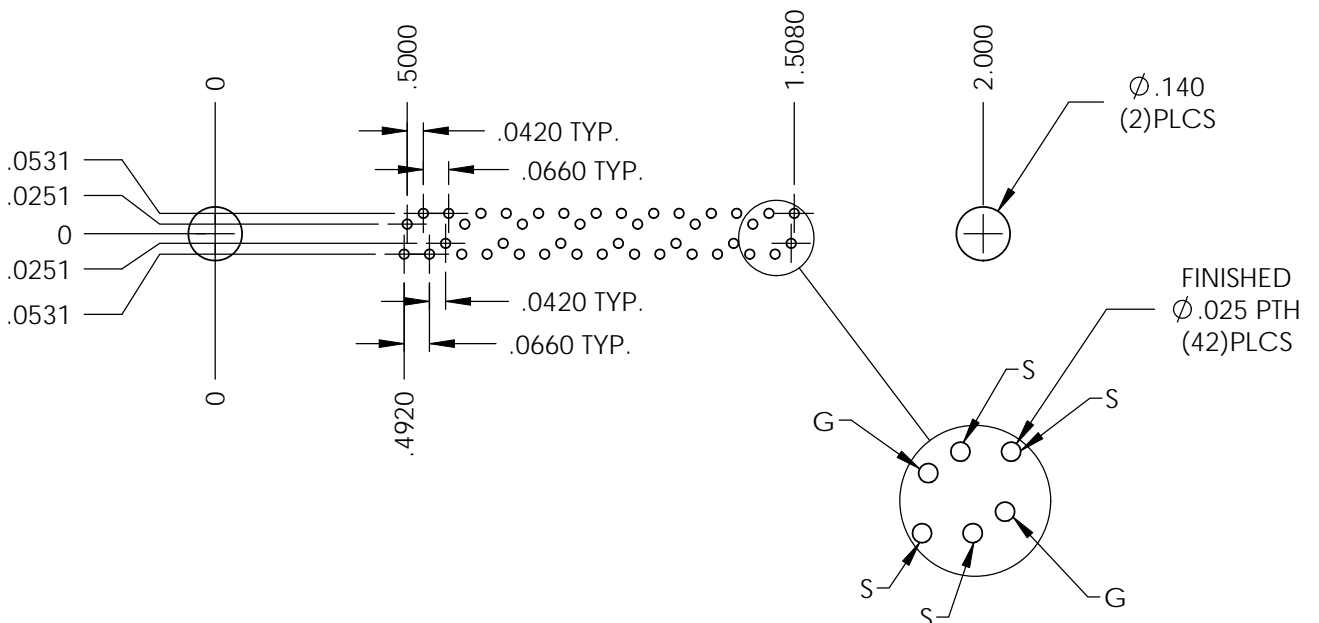
This document and the information contained in it are confidential property of Meritec. The document and information are provided to you for your review and evaluation and must not be furnished or disclosed to other without prior written consent by an authorized representative of Meritec.

# HERMES™ Connector System

## Female Straight 42 Position



### RECOMMENDED BOARD LAYOUT

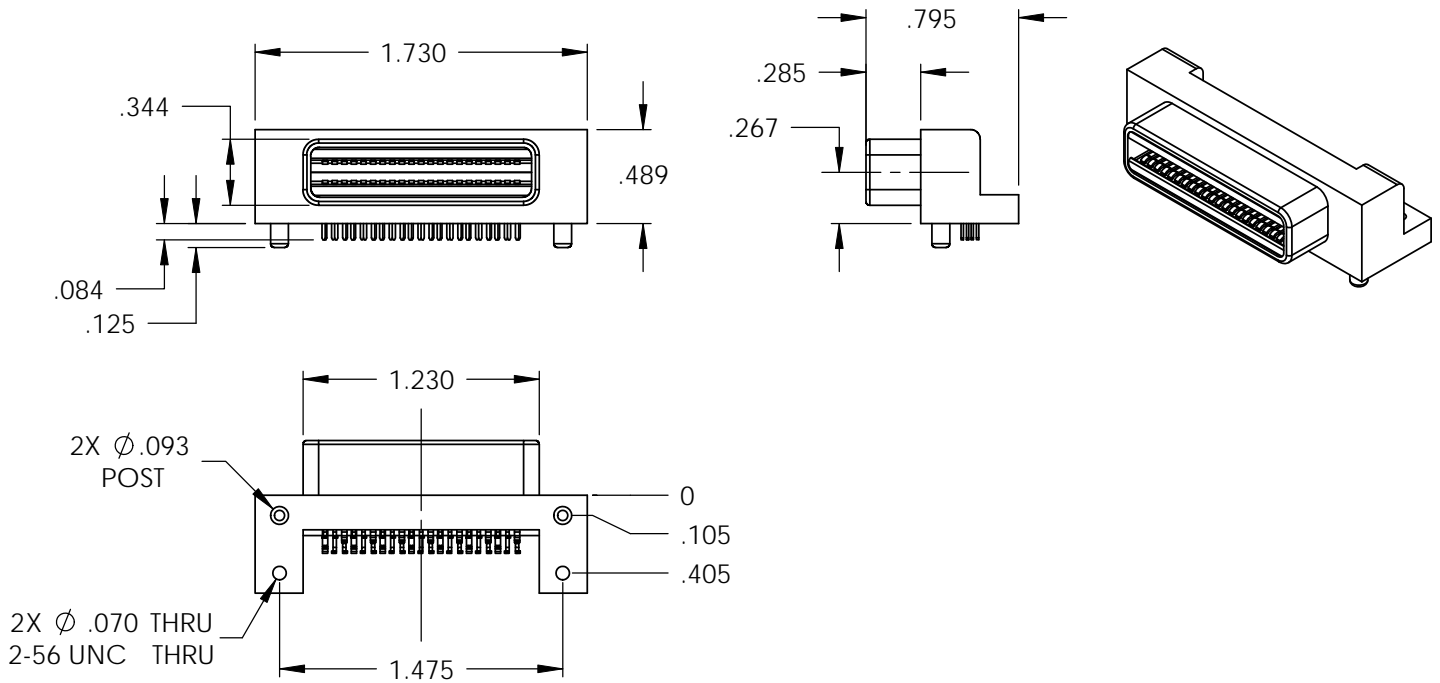


#### CONFIDENTIAL AND PROPRIETARY NOTICE

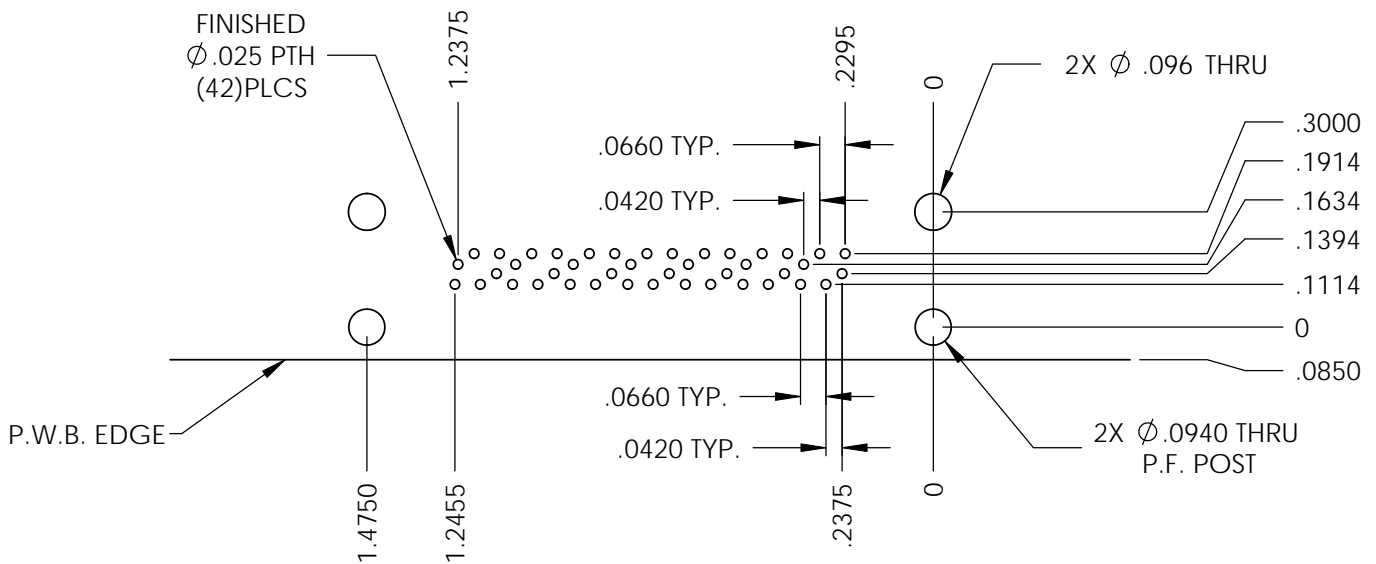
This document and the information contained in it are confidential property of Meritec. The document and information are provided to you for your review and evaluation and must not be furnished or disclosed to other without prior written consent by an authorized representative of Meritec.

# HERMES™ Connector System

## Right Angled 42 Position



### RECOMMENDED BOARD LAYOUT



#### CONFIDENTIAL AND PROPRIETARY NOTICE

This document and the information contained in it are confidential property of Meritec. The document and information are provided to you for your review and evaluation and must not be furnished or disclosed to other without prior written consent by an authorized representative of Meritec.