

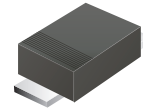
CDBMF340-HF

Reverse Voltage: 40 Volts

Forward Current: 3 Amp

RoHS Device

Halogen Free

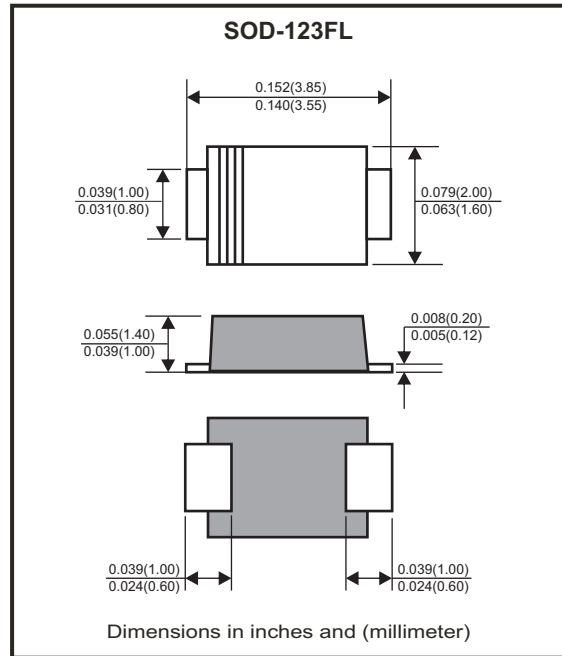


Features

- Ideal for surface mount applications.
- Easy pick and place.
- Plastic package has Underwriters Lab. Flammability Classification 94V-0
- Exceeds environmental standard MIL-S-19500/228.
- Low leakage current.

Mechanical data

- Case: Mini SMA/SOD-123FL, molded plastic
- Terminals: Solderable per MIL-STD-750 Method 2026.
- Polarity: Color band denotes cathode end
- Weight: 0.018 grams(approx.).



Circuit diagram



Maximum Rating (at $T_A=25^\circ\text{C}$ unless otherwise noted)

Parameter	Symbol	Value	Unit
Max. Repetitive peak reverse voltage	V_{RRM}	40	V
Max. RMS voltage	V_{RMS}	28	V
Max. DC blocking voltage	V_{DC}	40	V
Max. Peak forward surge current 8.3ms single half sine-wave JEDEC method)	I_{FSM}	50	A
Average forward current	I_o	3	A
Typ. Thermal resistance (Note2)	Junction to lead	$R_{\theta JL}$	40
	Junction to Ambient	$R_{\theta JA}$	120
Operating temperature range	T_J	-40 to +125	$^\circ\text{C}$
Storage temperature range	T_{STG}	-55 to +150	$^\circ\text{C}$

Electrical Characteristics (at $T_A=25^\circ\text{C}$ unless otherwise noted)

Parameter	Conditions	Symbol	Min.	Typ.	Max.	Unit
Max. Forward voltage (Note 1)	$I_F = 3A$	V_F			540	mV
DC reverse current $T_J=25^\circ\text{C}$	$V_R = 40V$	I_R			200	μA
Junction capacitance	$f = 1\text{MHz}, V_R = 1V$	C_J		250		pF

Notes: 1. Pulse test with $P_w=300\mu\text{sec}$, 1% duty cycle
2. Mounted on 50cm² FR-4 PCB board.

RATING AND CHARACTERISTIC CURVES (CDBMF340-HF)

Fig.1 - Typical Forward Current Derating Curve

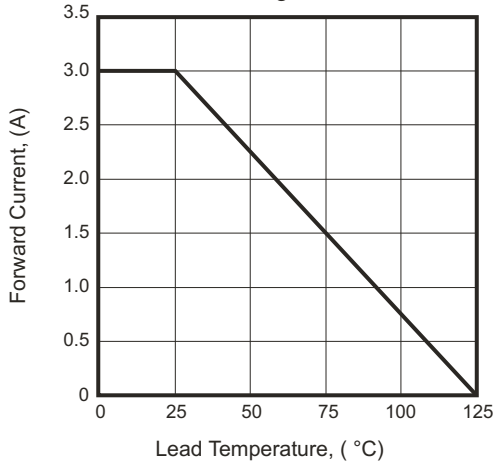


Fig.2 - Typical Forward Characteristics

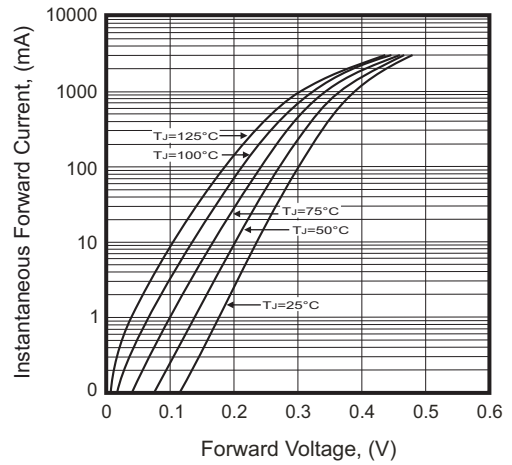


Fig.3 - Maximum Non-Repetitive Forward Surge Current

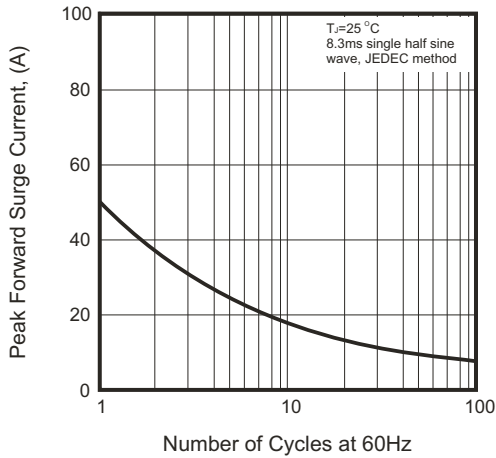


Fig.4 - Typical Reverse Characteristics

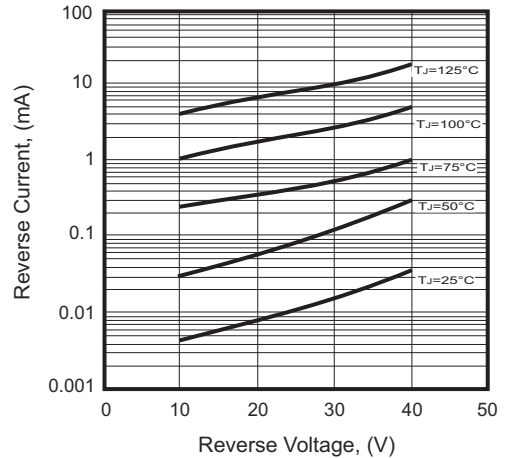
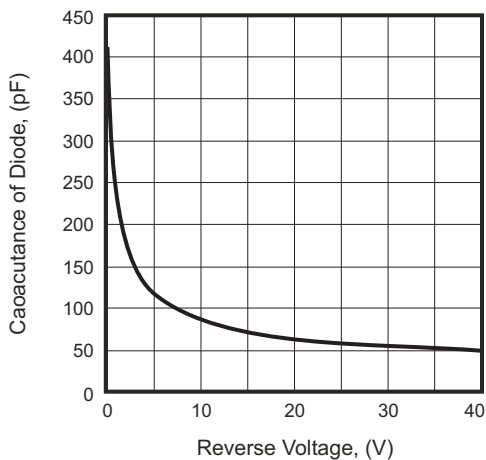
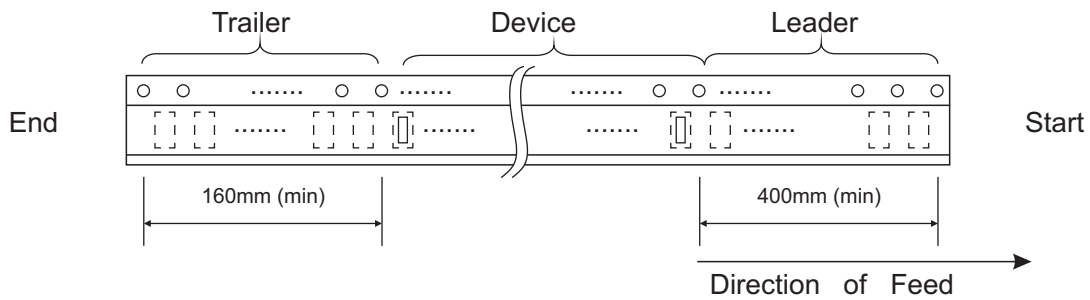
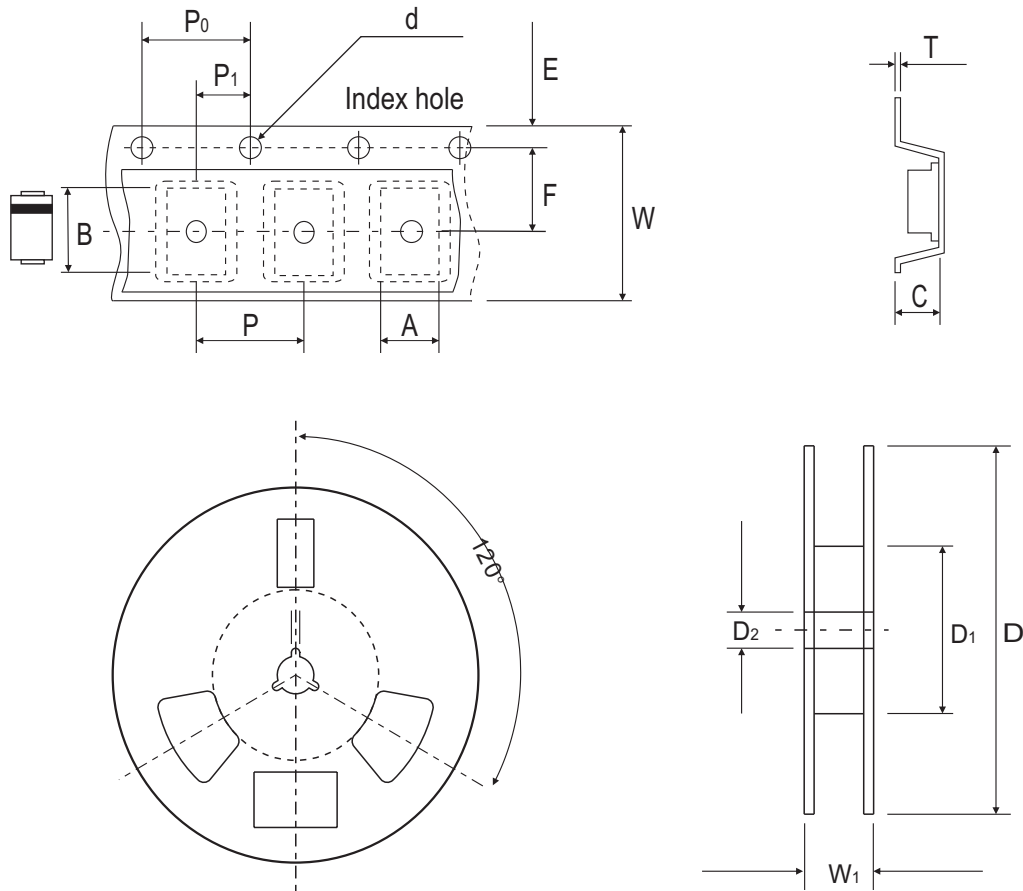


Fig.5 - Typical Capacitance of Diodes



Reel Taping Specification



	SYMBOL	A	B	C	d	D	D1	D2
Mini-SMA/SOD-123FL	(mm)	2.00 ± 0.10	4.00 ± 0.10	1.45 ± 0.10	1.55 ± 0.10	178 MAX.	62.00 MIN.	13.00 ± 0.20
	(inch)	0.079 ± 0.04	0.157 ± 0.04	0.057 ± 0.04	0.061 ± 0.004	7.008 MAX.	2.441 MIN.	0.512 ± 0.008

	SYMBOL	E	F	P	P0	P1	T	W	W1
Mini-SMA/SOD-123FL	(mm)	1.75 ± 0.10	3.50 ± 0.05	4.00 ± 0.10	4.00 ± 0.10	2.00 ± 0.05	0.23 ± 0.10	8.00 ± 0.30	11.4 MIN.
	(inch)	0.069 ± 0.004	0.138 ± 0.002	0.157 ± 0.004	0.157 ± 0.004	0.079 ± 0.002	0.009 ± 0.004	0.315 ± 0.012	0.449 MIN.

Company reserves the right to improve product design , functions and reliability without notice.

Marking Code

Part Number	Marking Code
CDBMF340-HF	34

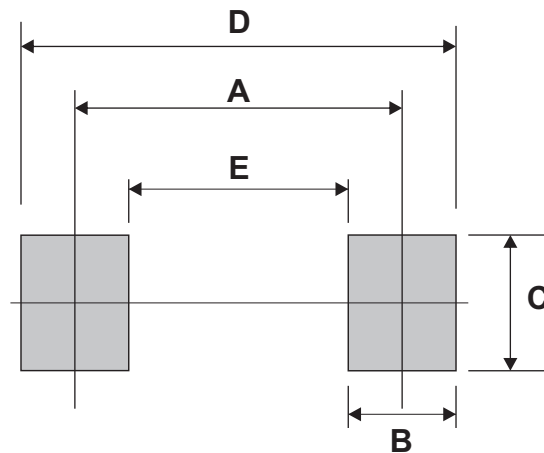


|||| = Cathod band

xx = Product type marking code

Suggested PAD Layout

SIZE	Mini-SMA/SOD-123FL	
	(mm)	(inch)
A	3.47	0.137
B	0.78	0.031
C	1.22	0.048
D	4.25	0.167
E	2.70	0.106



Standard Packaging

Case Type	REEL PACK	
	REEL (pcs)	Reel Size (inch)
Mini-SMA / SOD-123FL	3,000	7