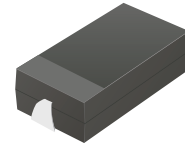


CGRAW4007-HF

Reverse Voltage: 1000 Volts

Forward Current: 1.0 Amp

RoHS Device
Halogen Free

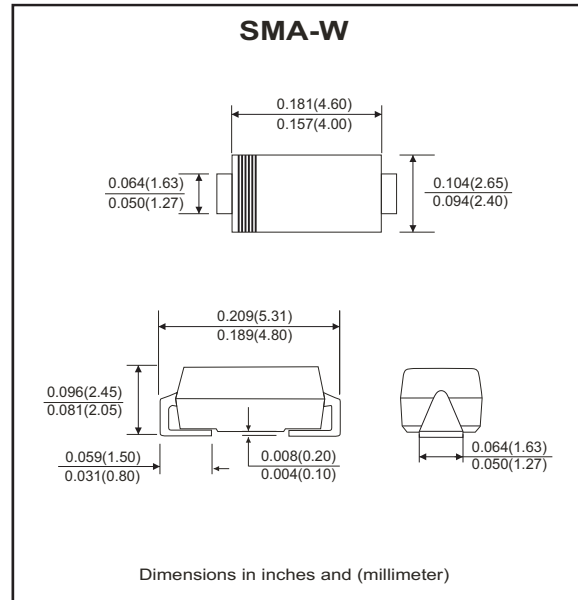


Features

- Ideal for surface mount applications.
- Easy pick and place.
- Plastic package has Underwriters Lab. flammability classification 94V-0.
- Built in strain relief.
- High surge current capability.

Mechanical data

- Case: SMA-W, molded plastic.
- Terminals: solderable per MIL-STD-750, method 2026.
- Polarity: Color band denotes cathode end.



Circuit Diagram



Maximum Ratings (at TA=25°C unless otherwise noted)

Parameter	Symbol	Value	Unit
Repetitive peak reverse voltage	V_{RRM}	1000	V
RMS voltage	V_{RMS}	700	V
Maximum DC blocking voltage	V_{DC}	1000	V
Maximum forward surge current 8.3ms single half sine-wave superimposed on rated load (JEDEC method)	I_{FSM}	30	A
Maximum average forward current	I_o	1	A
Typical thermal resistance	Junction to lead	$R_{\theta JL}$	25
	Junction to Ambient	$R_{\theta JA}$	55
Junction temperature range	T_J	-55 to +150	°C
Storage temperature range	T_{STG}	-55 to +150	°C

Electrical Characteristics (at TA=25°C unless otherwise noted)

Parameter	Conditions	Symbol	Min	Typ	Max	Unit
Forward voltage	$I_F = 1.0A$	V_F	-	-	1.1	V
Repetitive peak reverse current	$T_A = 25^\circ C$	I_R	-	-	5	μA
	$T_A = 125^\circ C$		-	-	50	

Rating and Characteristic Curves (Typical)

Fig.1 - Forward Current Dearing Curve

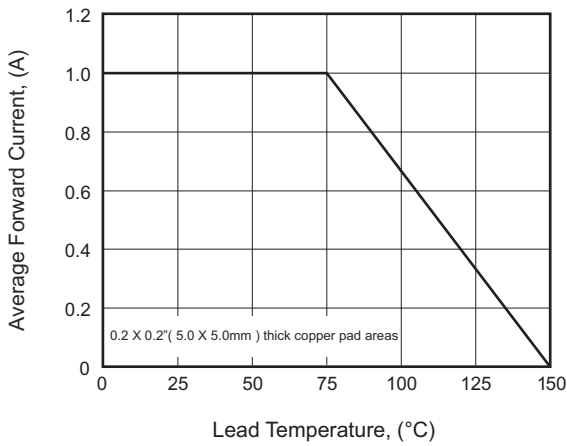


Fig.2 - Maximum NON-Repetitive Peak Forward Surge Current

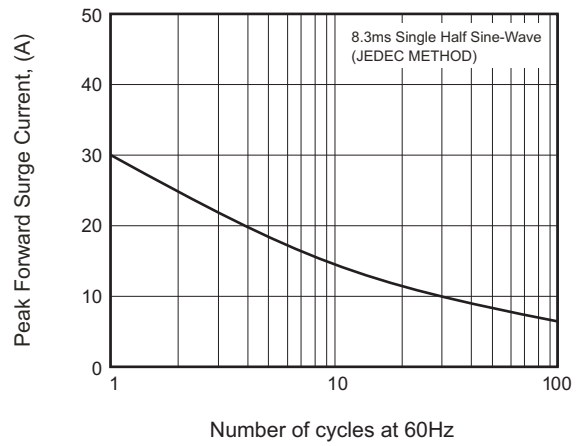


Fig.3 - Typical Forward Characteristics

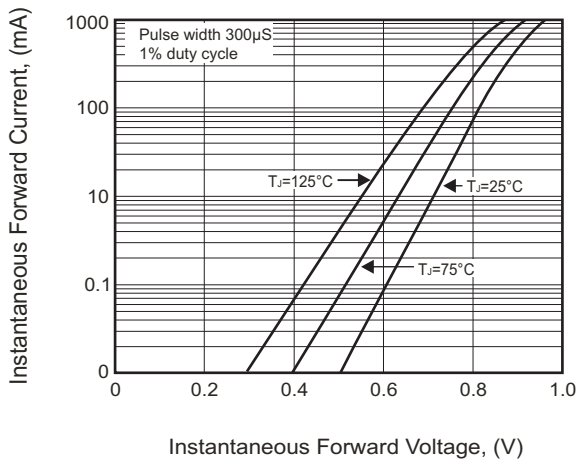
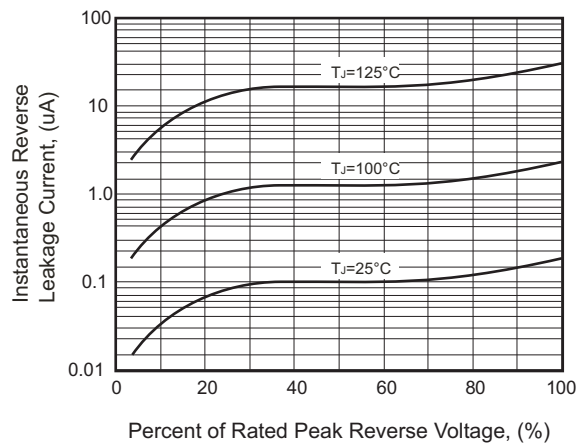
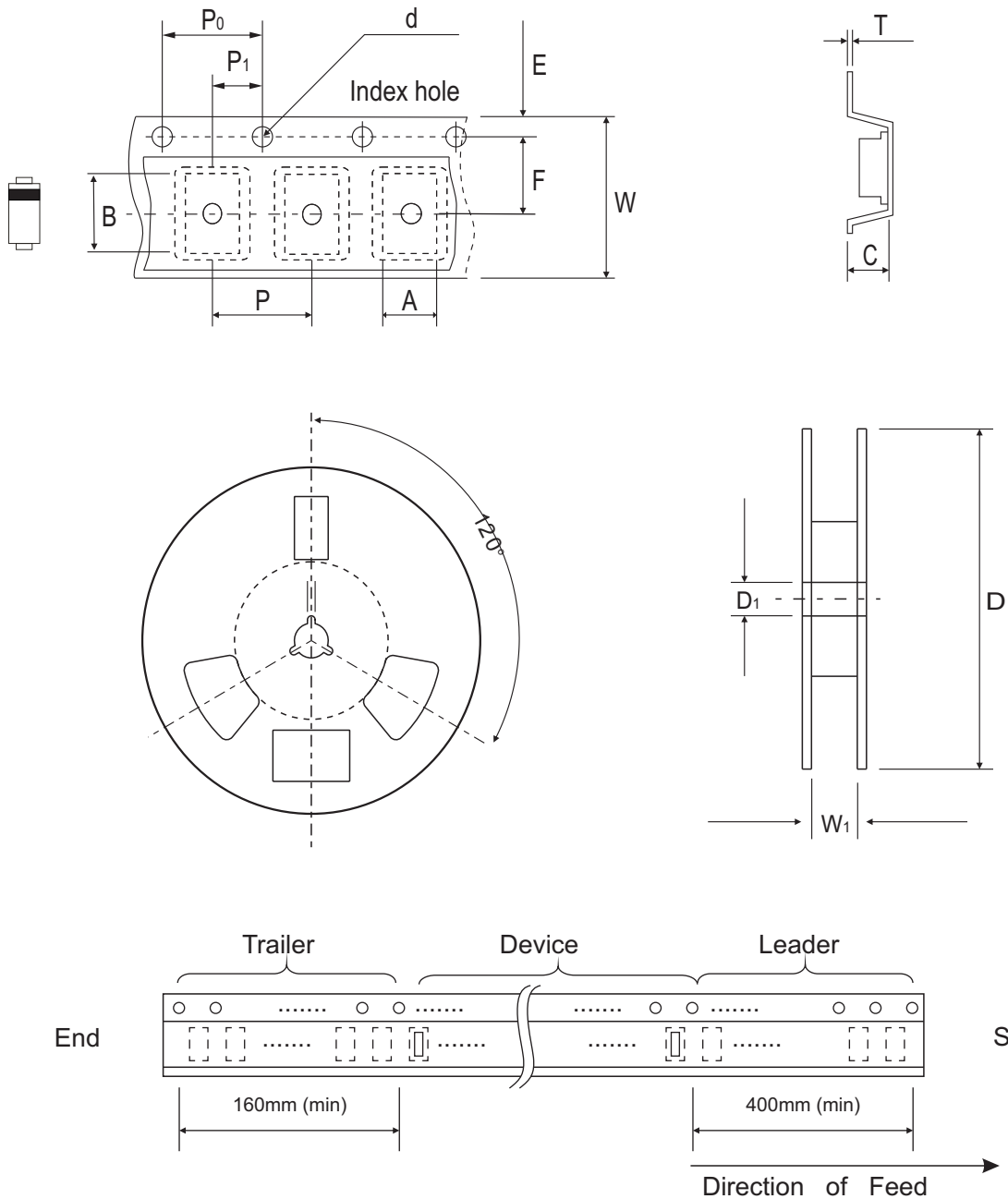


Fig.4 - Typical Reverse Characteristics



Reel Taping Specification



SMA-W	SYMBOL	A	B	C	d	D	D1	T
	(mm)	2.79 ± 0.10	5.33 ± 0.10	2.36 ± 0.10	1.55 ± 0.05	330.00 ± 2.00	13.00 ± 1.00	0.22 ± 0.05
	(inch)	0.110 ± 0.004	0.210 ± 0.004	0.093 ± 0.004	0.061 ± 0.002	12.992 ± 0.079	0.512 ± 0.039	0.009 ± 0.002

SMA-W	SYMBOL	E	F	P	P0	P1	W	W1
	(mm)	1.75 ± 0.10	5.50 ± 0.05	4.00 ± 0.10	4.00 ± 0.10	2.00 ± 0.05	12.00 ± 0.15	14.00 ± 1.00
	(inch)	0.069 ± 0.004	0.217 ± 0.002	0.157 ± 0.004	0.157 ± 0.004	0.079 ± 0.002	0.472 ± 0.006	0.551 ± 0.039

Marking Code

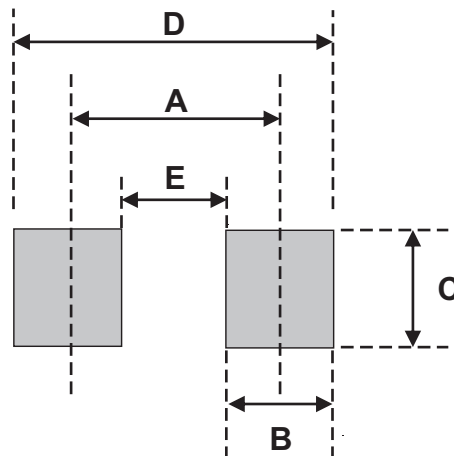
Part Number	Marking Code
CGRAW4007-HF	M7G



||||| = Cathod band

Suggested PAD Layout

SIZE	SMA-W	
	(mm)	(inch)
A	3.62	0.143
B	1.96	0.077
C	2.04	0.080
D	5.58	0.220
E	1.66	0.065



Standard Packaging

Case Type	REEL PACK	
	REEL (pcs)	Reel Size (inch)
SMA-W	5,000	13