

SMD Zener Diode

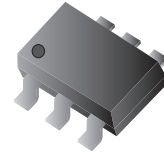
CZRV6-5240-HF / CZRV6-5248-HF

Voltage: 10V and 18V

Power Dissipation: 200 mW

RoHS Device

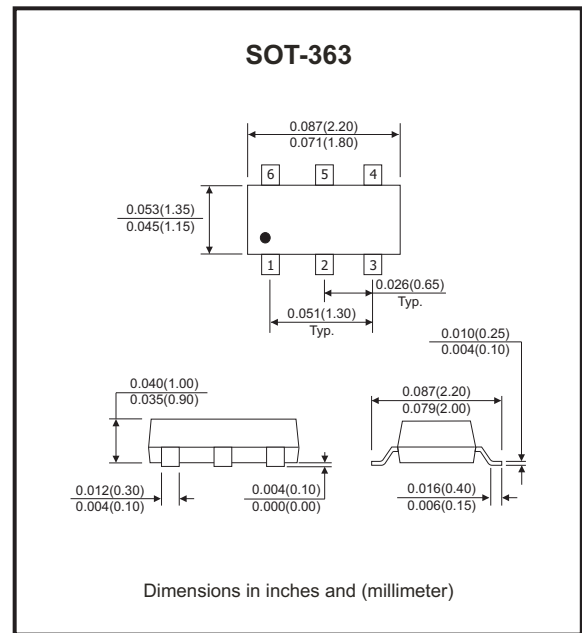
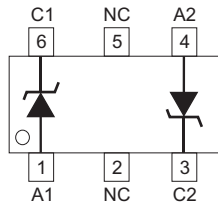
Halogen Free



Mechanical data

- Case: Molded plastic, SOT-363
- Mounting position: Any

Circuit diagram



Maximum Ratings (TA=25°C unless otherwise noted)

Parameter	Symbol	Value	Unit
Power dissipation (Note 1)	P _D	200	mW
Forward voltage at I _F = 10 mA	V _F	0.9	V
Thermal resistance junction to ambient air	R _{θJA}	625	°C/W
Junction and storage temperature range	T _J , T _{STG}	-65 to +150	°C

Note: (1) Mounted on FR4 PC board with recommended pad layout.

Electrical Characteristics (TA=25°C unless otherwise noted)

Part Number	Zener Voltage (Note 1)				Maximum Dynamic Resistance				Maximum Reverse Current		Marking Code
	V _{ZT}			@ I _{ZT}	Z _{ZT}	@ I _{ZT}	Z _{Zk}	@ I _{Zk}	I _R @ V _R		
	Nom(V)	Min(V)	Max(V)	(mA)	(Ω)	(mA)	(Ω)	(mA)	(μA)	(V)	
CZRV6-5240-HF	10	9.5	10.5	20	17	20	600	0.25	3.0	8	GT
CZRV6-5248-HF	18	17.1	18.9	7	21	7	600	0.25	0.1	14	GZ

Note: (1) Short duration test pulse used to minimize self-heating effect.

Company reserves the right to improve product design, functions and reliability without notice.

REV: A

RATING AND CHARACTERISTIC CURVES (CZRV6-5240-HF / CZRV6-5248-HF)

Fig.1 - Power Dissipation VS. Ambient Temp.

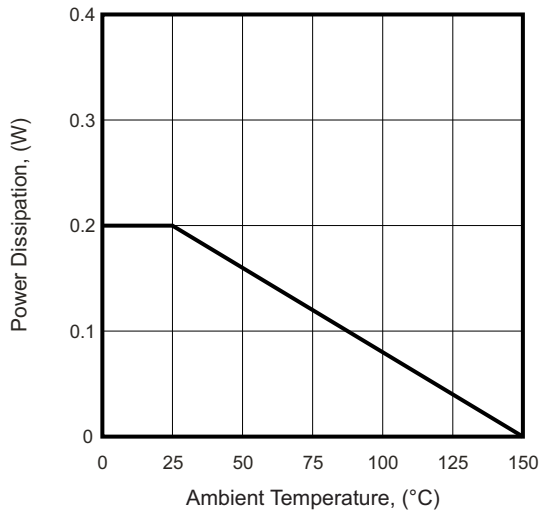


Fig.2 - Zener Voltage VS. Zener Impedance

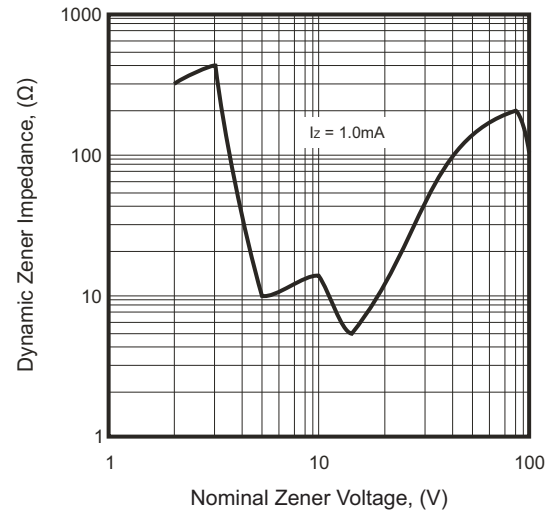
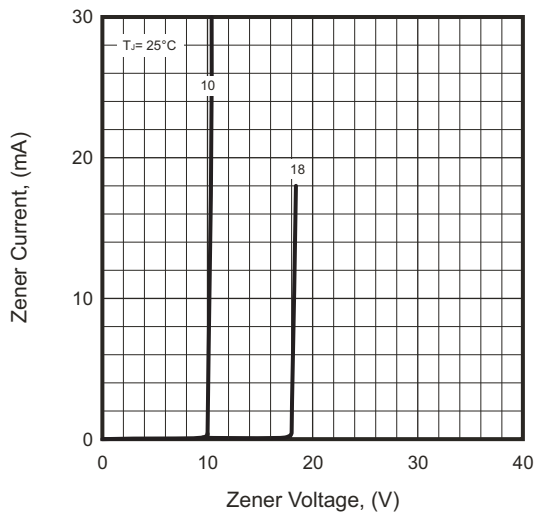
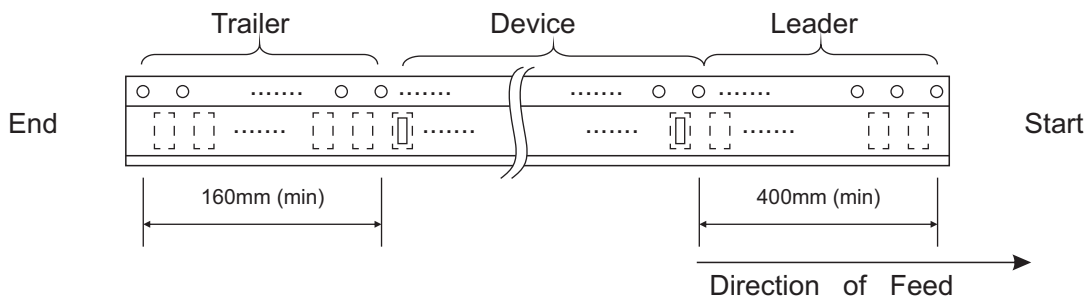
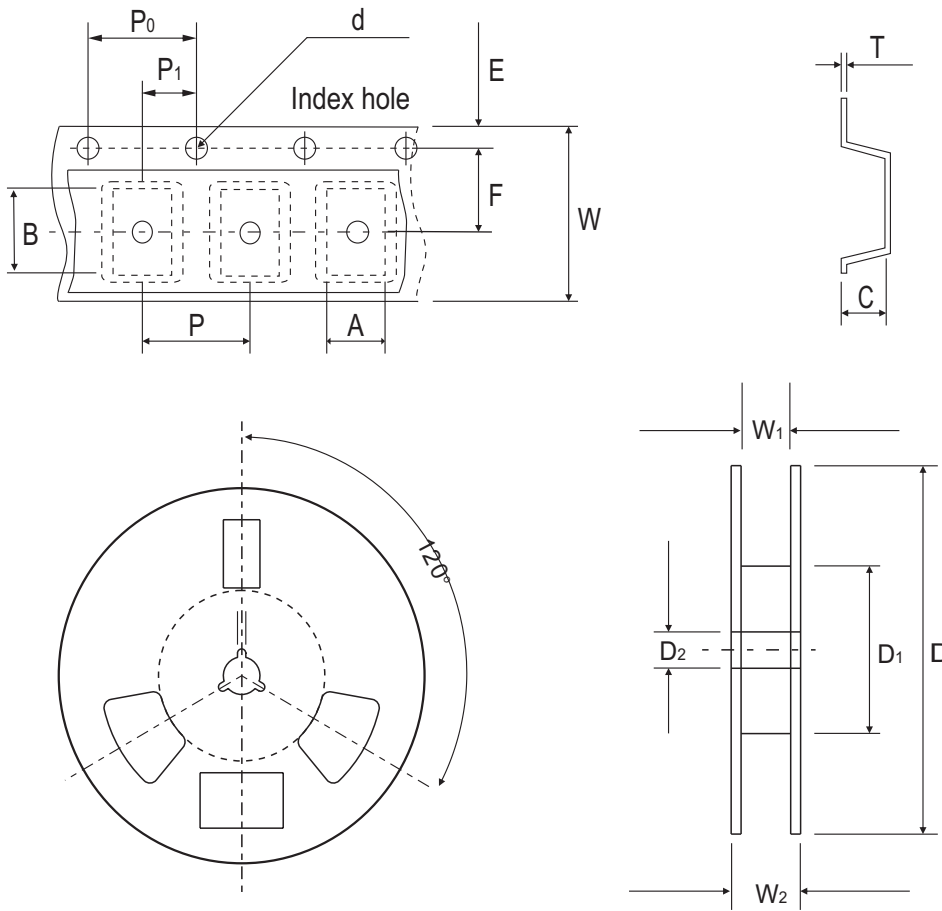


Fig.3 - Zener Breakdown Characteristics



Reel Taping Specification



SOT-363	SYMBOL	A	B	C	d	T	D	D ₁	D ₂
	(mm)	4.38 ± 0.10	2.55 ± 0.10	2.33 ± 0.10	0.75 Max.	0.20 ± 0.03	178.00 Max.	55.00 Max.	13.50 ± 0.03
	(inch)	0.172 ± 0.004	0.100 ± 0.004	0.092 ± 0.004	0.030 Max.	0.008 ± 0.001	7.008 Max.	2.165 Max.	0.531 ± 0.001

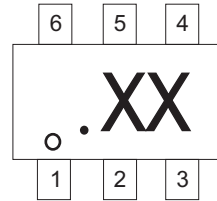
SOT-363	SYMBOL	E	F	P	P ₀	P ₁	W	W ₁	W ₂
	(mm)	1.75 ± 0.10	3.50 ± 0.05	4.00 ± 0.10	2.00 ± 0.05	2.00 ± 0.05	8.00 ± 0.10	9.00 Max.	11.00 Max.
	(inch)	0.069 ± 0.004	0.138 ± 0.002	0.157 ± 0.004	0.079 ± 0.002	0.079 ± 0.002	0.315 ± 0.004	0.354 Max.	0.433 Max.

Company reserves the right to improve product design, functions and reliability without notice.

REV: A

Marking Code

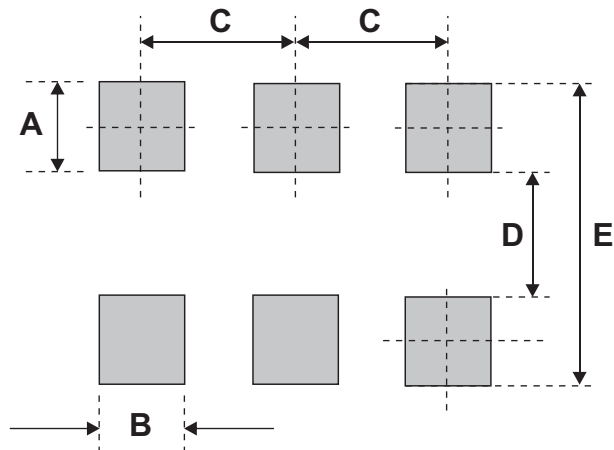
Part Number	Marking Code
CZRV6-5240-HF	.GT
CZRV6-5248-HF	.GZ



XX = Product type marking code
Solid dot “•” = Halogen Free

Suggested PAD Layout

SIZE	SOT-363	
	(mm)	(inch)
A	0.60	0.024
B	0.42	0.017
C	0.65	0.026
D	1.30	0.051
E	2.50	0.098



Standard Packaging

Case Type	REEL PACK	
	REEL (pcs)	Reel Size (inch)
SOD-363	3,000	7