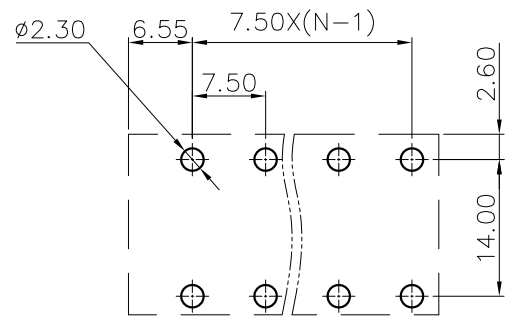
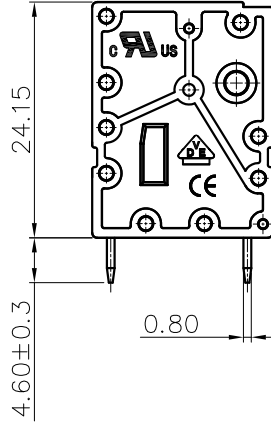
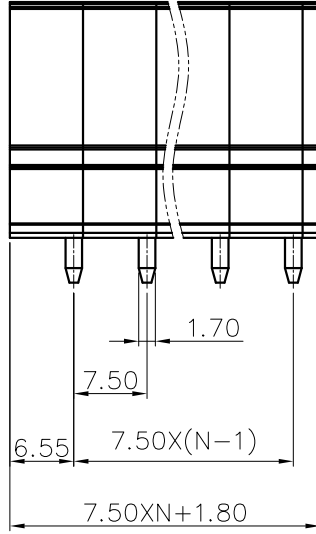
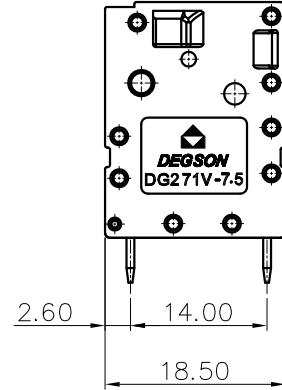
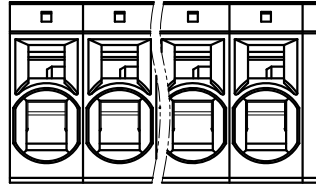


REVISION RECORD				
REV	ECN	DESCRIPTION	DRFT	DATE



PCB LAYOUT

NOTES1:

UL Standard

- 1. Rated voltage/current : 300V / 40A
- 2. Withstanding voltage : AC1600V/1Min.
- 3. Wire range : 24~8AWG

IEC Standard

1. Pollution degree	3	2	2
Overvoltage category	III	III	II
Rate impulse voltage(KV)	8.0KV	8.0KV	8.0KV
Rate voltage(V)	630V	1000V	1000V
Rate current(A)	41A		

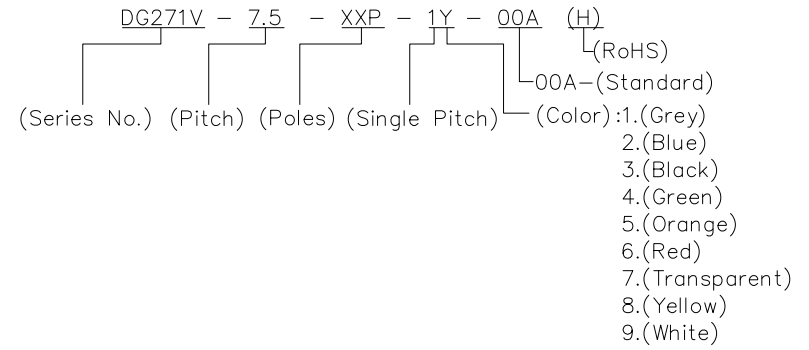
2. Wire range : 0.2~6.0mm²

NOTES2:

- 1. Dimension shall be interpreted per ASME Y14.5-2009
- 2. Pitch : 7.50mm, Poles : N=01~XXP
- 3. Stripping length : 14~15mm
- 4. Operating temperature : -40°C~+105°C
- 5. Undimensioned tolerances:

Pitch range in mm		Nominal dimension range in mm					-	∩	∇
TO	Over	Over	Over	Over	Over	TO	TO	TO	
6	6 TO 10	10 TO 24	30 TO 60	60 TO 100	100 TO 150	150	150	150	
±0.15	±0.20	±0.30	±0.30	±0.50	±0.70	±1.00	±1.30	±2'	

6. RoHS Compliance



DETACHED LISTS	PART NO.:	/			
	APPD:	/			
	CHKD:	/			
	DRFT:	/			
	THIRD ANGLE PROJECTION		DRAWING NO.:		/
		MM (INCH)		DO NOT SCALE DRAWING	
		NAME:		NINGBO DEGSON ELECTRICAL CO., LTD	
		TITLE:		CUSTOMER DRAWING	
		REV		DO	
		SHEET		1/1	
		SCALE		1:1	