



Mechanical Buzzer Specification

Series FZ-V1048

Model Number: 104H1240LFLA

Version 2.0

Address: 28 Genting Lane, #08-07 Platinum 28, Singapore 349585

Tel: +65-6493 5035

Fax: +65-6493 5037

Website: <http://www.flezon.com>

Email: flezon@flezon.com

1. ELECTRICAL SPECIFICATIONS



Model No.: 104H1240LFLA

Description: MC BUZZER SINGLE 24VDC L/W ABS RoHS

<i>MODEL NO.</i>	<u>104H1240LFLA</u>
<i>OPERATING VOLTAGE RANGE (VDC)</i>	20.0 ~ 28.0
<i>RATED VOLTAGE (VDC)</i>	24.0
* <i>MAX. RATED CURRENT (mA)</i>	21.0
* <i>MIN. SOUND OUTPUT (dBA/ 10cm)</i>	95.0
* <i>FREQUENCY (Hz)</i>	400 ± 100
<i>TONE NATURE</i>	SINGLE
<i>OPERATING TEMPERATURE (°C)</i>	-20.0 ~ +60.0
<i>TERMINAL</i>	LEADWIRE
<i>HOUSING MATERIAL</i>	ABS
<i>WEIGHT (g)</i>	17.0

* Value applying at rated voltage

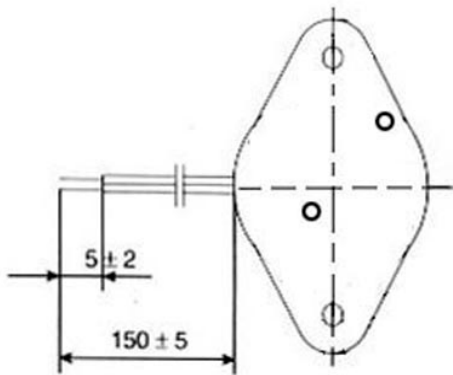
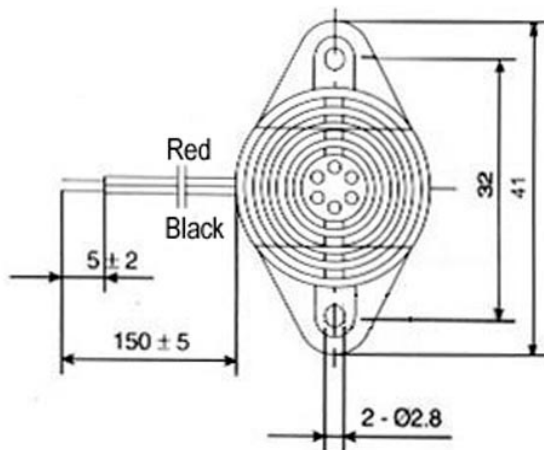
FLEZON CONFIDENTIAL

2. PHYSICAL DIMENSION

All dimensions stated are in mm

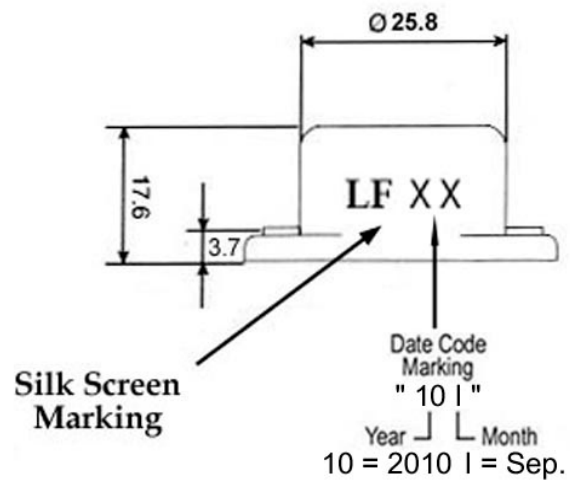
Tolerance: $\pm 0.5\text{mm}$

TOP VIEW



BOTTOM VIEW

SIDE VIEW



Revision History

Revision	Date	Description
1.0		First release
2.0	2010/09	Modify Wire Position

FLEZON CONFIDENTIAL