



Piezo Buzzer Specification

Series FZ-V118

Model Number: 11W3120LFTA

Version 1.0

Address: 28 Genting Lane, #08-07 Platinum 28, Singapore 349585

Tel: +65-6493 5035

Fax: +65-6493 5037

Website: <http://www.flezon.com>

Email: flezon@flezon.com

ALL RIGHTS ARE STRICTLY RESERVED. ANY PORTION OF THIS PAPER SHALL NOT BE REPRODUCED, COPIED, OR TRANSLATED TO ANY OTHER FORMS WITHOUT PERMISSION FROM FLEXXON GLOBAL LIMITED.

1. ELECTRICAL SPECIFICATIONS



Model No.: 11W3120LFTA

Description: PZ BUZZER DUAL 12VDC PLT ABS SP RoHS

<i>MODEL NO.</i>	<u>11W3120LFTA</u>
<i>OPERATING VOLTAGE RANGE (VDC)</i>	4.0 ~ 16.0
<i>RATED VOLTAGE (VDC)</i>	12.0
* <i>MAX. RATED CURRENT (mA)</i>	25.0 / 20.0
* <i>MIN. SOUND OUTPUT (dBA/ 30 cm)</i>	95.0 / 90.0
* <i>FREQUENCY (Hz)</i>	2900 ± 500
<i>TONE NATURE</i>	DUAL
<i>OPERATING TEMPERATURE (°C)</i>	- 20 ~ + 60
<i>TERMINAL</i>	PLATE
<i>HOUSING MATERIAL</i>	ABS
<i>WEIGHT (g)</i>	35.0

* Value applying at rated voltage

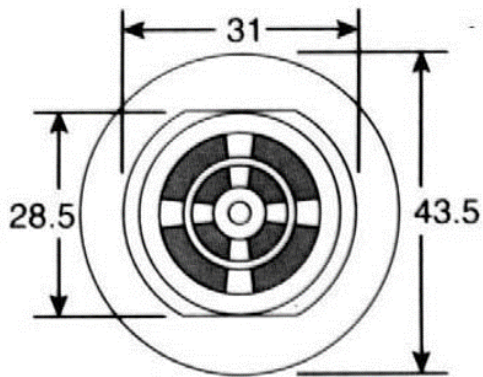
2. PHYSICAL DIMENSION



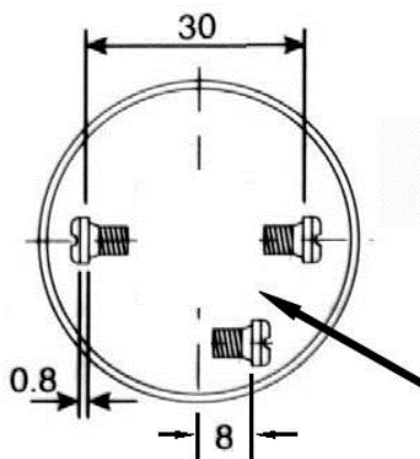
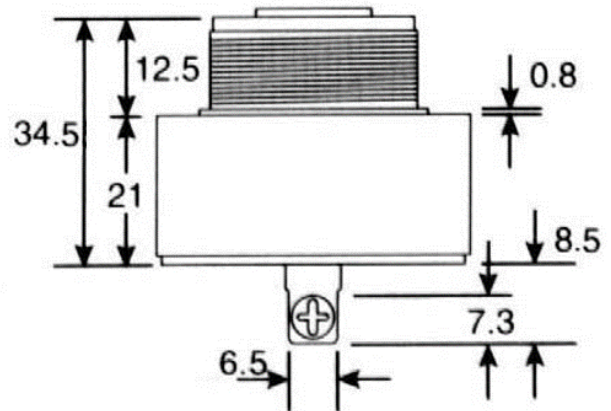
All dimensions stated are in mm

Tolerance: $\pm 0.5\text{mm}$

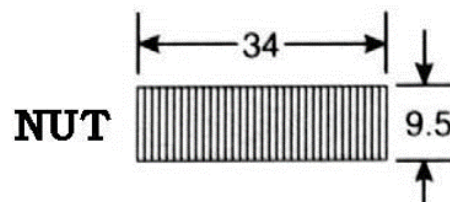
TOP VIEW



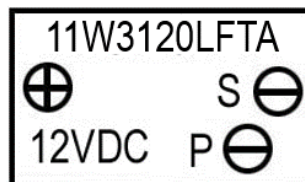
SIDE VIEW



BOTTOM VIEW



NUT



Revision History

Revision	Date	Description
1.0	2005/04	First release

FLEZON CONFIDENTIAL