



Self Drive Piezo Transducer Specification

Series FZ-V1248

Model Number: 124PA30360LFPN

Version 1.0

Address: 28 Genting Lane, #08-07 Platinum 28, Singapore 349585

Tel: +65-6493 5035

Fax: +65-6493 5037

Website: <http://www.flezon.com>

Email: flezon@flezon.com

1. ELECTRICAL SPECIFICATIONS



Model No.: 124PA30360LFPN

Description: PZ TRANSDUCER 12VDC PIN NORYL
1) RoHS

<i>MODEL NO.</i>	<u>124PA30360LFPN</u>
<i>OPERATING VOLTAGE RANGE (VDC)</i>	3.0 ~ 20.0
<i>RATED VOLTAGE (VDC)</i>	12 (Apply to Testing Circuit)
<i>MIN. SOUND OUTPUT (dBA/ 10cm)</i>	88
<i>FREQUENCY (Hz)</i>	3600 ± 500
<i>MAX CURRENT mA</i>	10.0
<i>OPERATING TEMPERATURE (° C)</i>	-30 ~ +70
<i>TERMINAL</i>	PIN
<i>HOUSING MATERIAL</i>	NORYL
<i>WEIGHT (g)</i>	5.0

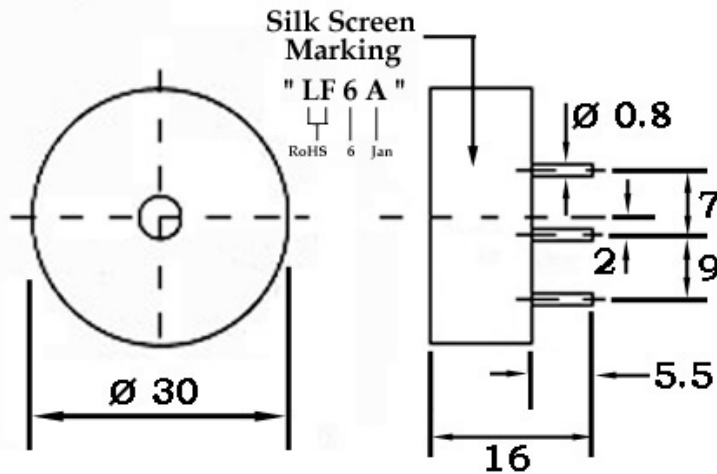
2. PHYSICAL DIMENSION



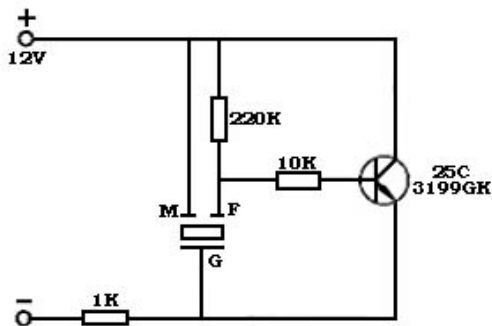
All dimensions stated are in mm

Tolerance: $\pm 0.5\text{mm}$

TOP VIEW SIDE VIEW



Reference Circuit



Revision History

Revision	Date	Description
1.0	2006/04	First release

FLEZON CONFIDENTIAL