



Piezo Buzzer Specification

Series FZ-V1438

Model Number: 143H3120LFLA

Version 1.0

Address: 28 Genting Lane, #08-07 Platinum 28, Singapore 349585

Tel: +65-6493 5035

Fax: +65-6493 5037

Website: <http://www.flezon.com>

Email: flezon@flezon.com

ALL RIGHTS ARE STRICTLY RESERVED. ANY PORTION OF THIS PAPER SHALL NOT BE REPRODUCED, COPIED, OR TRANSLATED TO ANY OTHER FORMS WITHOUT PERMISSION FROM FLEXXON GLOBAL LIMITED.

1. ELECTRICAL SPECIFICATIONS



Model No.: 143H3120LFLA

Description: PZ BUZZER SINGLE 12VDC L/W ABS RoHS SP

1) INTERNAL ADD THE SILICON RUBBER FIXED TRANSFORMER

2) ADD COATING ON PCB 3) ADD GLUE ON BOTTOM WITH 100 %

4) NEW SCREW 5) ZINC SCREW IS USED 6) IP66

<i>MODEL NO.</i>	143H3120LFLA
<i>OPERATING VOLTAGE RANGE (VDC)</i>	6.0 ~ 15.0
<i>RATED VOLTAGE (VDC)</i>	12.0
* <i>MAX. RATED CURRENT (mA)</i>	300.0
* <i>MIN. SOUND OUTPUT (dBA/ 30 cm)</i>	100.0
* <i>FREQUENCY (Hz)</i>	2800 ± 400
<i>TONE NATURE</i>	SINGLE
<i>OPERATING TEMPERATURE (° C)</i>	- 20 ~ + 70
<i>TERMINAL</i>	LEADWIRE (UL1007, AWG#18)
<i>HOUSING MATERIAL</i>	ABS
<i>WEIGHT (g)</i>	110.0

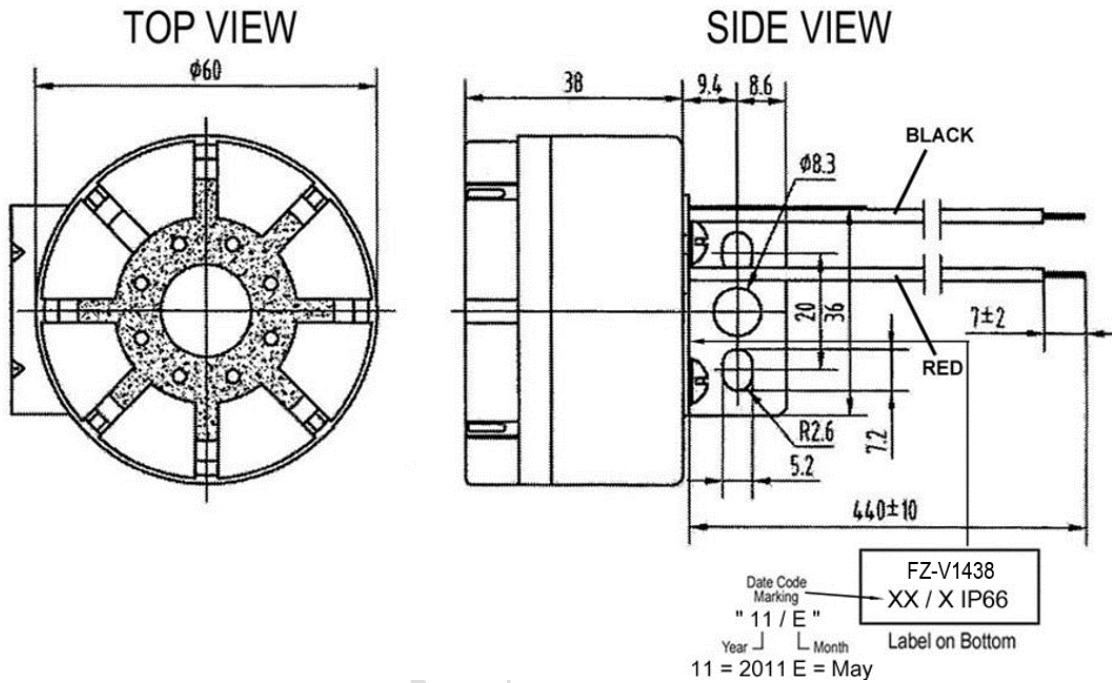
* Value applying at rated voltage

2. PHYSICAL DIMENSION



All dimensions stated are in mm

Tolerance: $\pm 0.5\text{mm}$



FLEZON

Revision History

Revision	Date	Description
1.0	2011/05	First release

FLEZON CONFIDENTIAL