



Self Drive Piezo Transducer Specification

Series FZ-V1488

Model Number: 148PA42280LFLA

Version 1.0

Address: 28 Genting Lane, #08-07 Platinum 28, Singapore 349585

Tel: +65-6493 5035

Fax: +65-6493 5037

Website: <http://www.flezon.com>

Email: flezon@flezon.com

1. ELECTRICAL SPECIFICATIONS



Model No.: 148PA42280LFLA

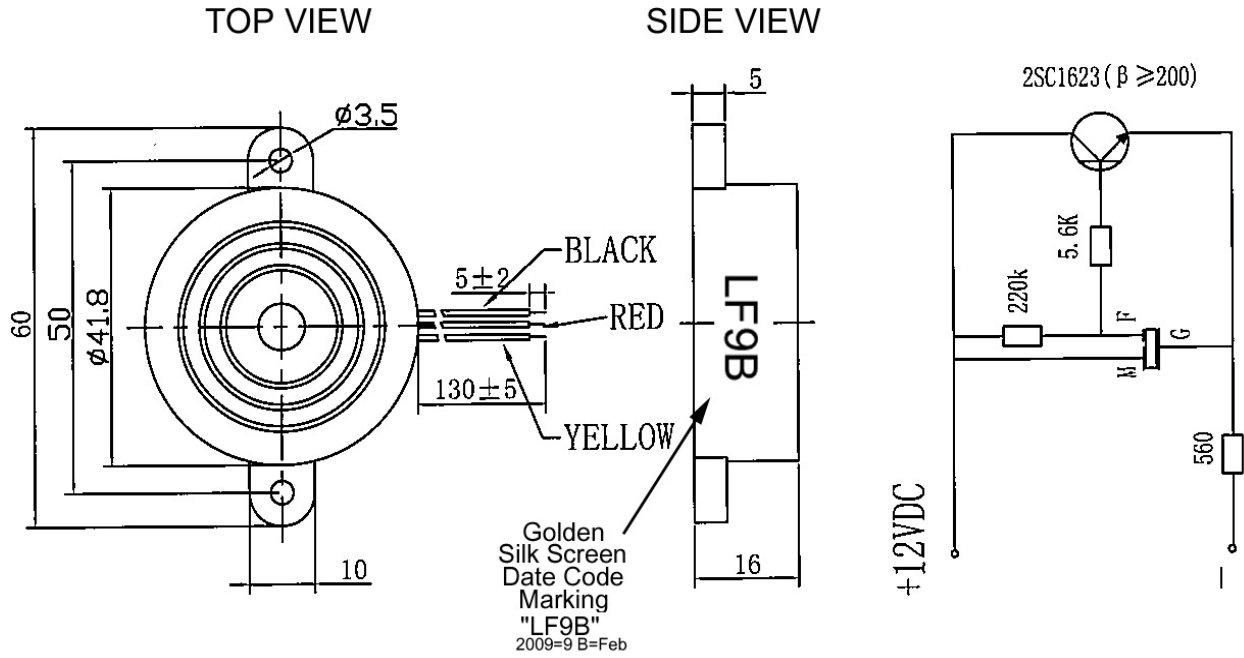
Description: PZ TRANSDUCER 12V 130mmLL ABS RoHS

<i>MODEL NO.</i>	<u>148PA42280LFLA</u>
<i>OPERATING VOLTAGE RANGE (VDC)</i>	3.0 ~ 24.0
<i>RATED VOLTAGE (VDC)</i>	12.0
<i>MIN. SOUND OUTPUT (dBA/ 30cm)</i>	85.0
<i>FREQUENCY (Hz)</i>	2800 ± 500
<i>MAX CURRENT mA</i>	8.0
<i>OPERATING TEMPERATURE (° C)</i>	-40 ~ +85
<i>TERMINAL</i>	UL1007 28AWG
<i>HOUSING MATERIAL</i>	ABS
<i>WEIGHT (g)</i>	10.0

2. PHYSICAL DIMENSION

All dimensions stated are in mm

Tolerance: $\pm 0.5\text{mm}$



FLEZON.COM

Revision History

Revision	Date	Description
1.0	2011/11	First release

FLEZON CONFIDENTIAL