



Mechanical Buzzer Specification

Series FZ-V1668

Model Number: 166H1230LFTH

Version 2.0

Address: 28 Genting Lane, #08-07 Platinum 28, Singapore 349585

Tel: +65-6493 5035

Fax: +65-6493 5037

Website: <http://www.flezon.com>

Email: flezon@flezon.com

1. ELECTRICAL SPECIFICATIONS



Model No.: 166H1230LFTH

Description: MC BUZZER SINGLE 230VAC PLT PBT RoHS

<i>MODEL NO.</i>	<u>166H1230LFTH</u>
<i>OPERATING VOLTAGE RANGE (VDC)</i>	160.0 ~ 260.0
<i>RATED VOLTAGE (VDC)</i>	230.0
* <i>MAX. RATED CURRENT (mA)</i>	30.0
* <i>MIN. SOUND OUTPUT (dBA/ 10.0cm)</i>	83.0
* <i>FREQUENCY (Hz)</i>	-
<i>TONE NATURE</i>	SINGLE
<i>OPERATING TEMPERATURE (°C)</i>	- 40.0 ~ +85.0
<i>STORAGE TEMPERATURE (°C)</i>	- 40.0 ~ +85.0
<i>RH RANGE</i>	30.0 ~ 75.0 %
<i>TERMINAL</i>	PLATE
<i>HOUSING MATERIAL</i>	PBT
<i>WEIGHT (g)</i>	34.0

* Value applying at rated voltage

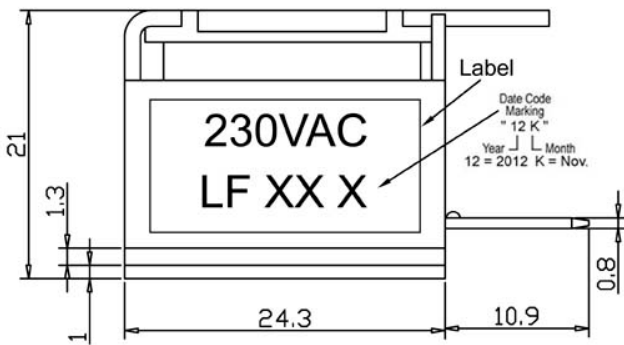
2. PHYSICAL DIMENSION



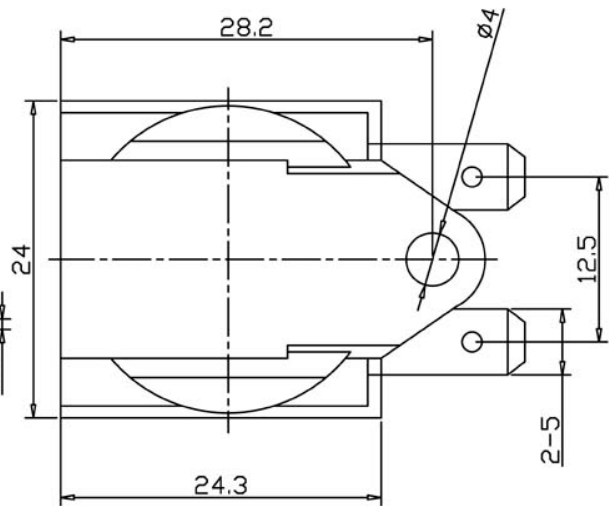
All dimensions stated are in mm

Tolerance: $\pm 0.5\text{mm}$

SIDE VIEW



TOP VIEW



FLEZON CO.

Revision History

Revision	Date	Description
1.0		First release
2.0	2012/11	Modify Operating、 Storage Temp. & Add RH range

FLEZON CONFIDENTIAL