



Self Drive Piezo Transducer Specification

Series FZ-V168

Model Number: 16PA3200LFPN

Version 1.0

Address: 28 Genting Lane, #08-07 Platinum 28, Singapore 349585

Tel: +65-6493 5035

Fax: +65-6493 5037

Website: <http://www.flezon.com>

Email: flezon@flezon.com

1. ELECTRICAL SPECIFICATIONS



Model No.: 16PA3200LFPN

Description: PZ TRANSDUCER 9VDC PIN NORYL RoHS

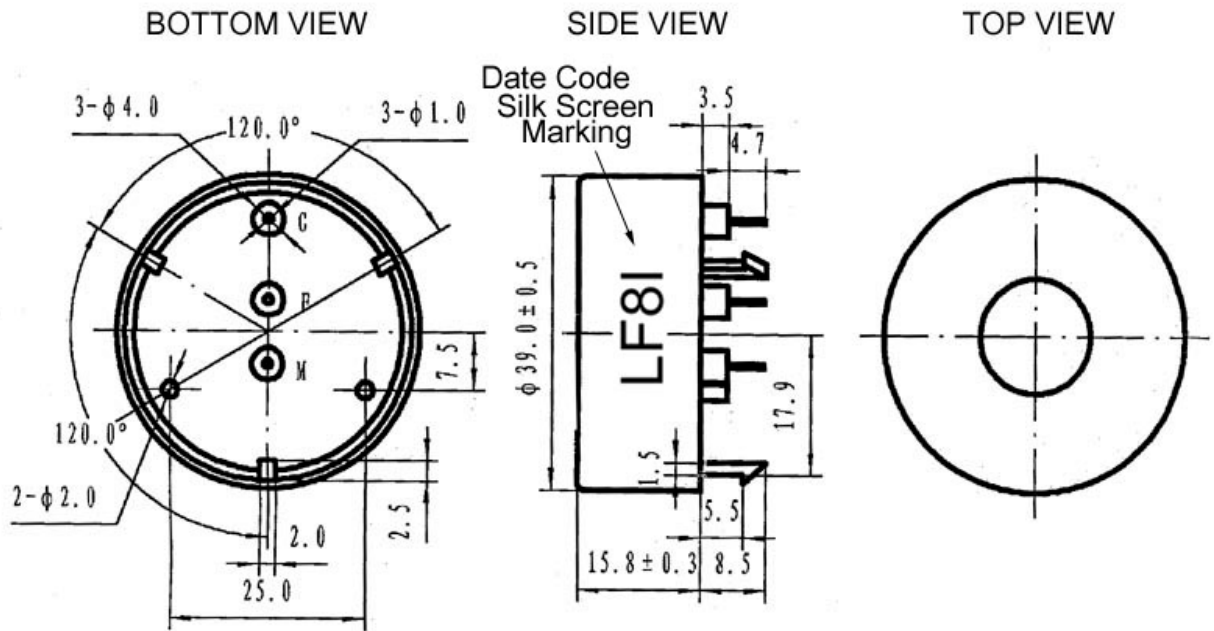
<i>MODEL NO.</i>	<u>16PA3200LFPN</u>
<i>OPERATING VOLTAGE RANGE (VDC)</i>	3.5 ~ 28.0
<i>RATED VOLTAGE (VDC)</i>	9.0
<i>MIN. SOUND OUTPUT (dBA/ 30cm)</i>	95.0
<i>FREQUENCY (Hz)</i>	3400 ± 500
<i>OPERATING TEMPERATURE (° C)</i>	-20 ~ +70
<i>TERMINAL</i>	PIN
<i>HOUSING MATERIAL</i>	NORYL
<i>WEIGHT (g)</i>	14.5

2. PHYSICAL DIMENSION



All dimensions stated are in mm

Tolerance: $\pm 0.5\text{mm}$



FLEZON

Revision History

Revision	Date	Description
1.0	2008/09	First release

FLEZON CONFIDENTIAL