



Piezo Buzzer Specification

Series FZ-V1938

Model Number: 193H3090LFLH

Version 1.0

Address: 28 Genting Lane, #08-07 Platinum 28, Singapore 349585

Tel: +65-6493 5035

Fax: +65-6493 5037

Website: <http://www.flezon.com>

Email: flezon@flezon.com

ALL RIGHTS ARE STRICTLY RESERVED. ANY PORTION OF THIS PAPER SHALL NOT BE REPRODUCED, COPIED, OR TRANSLATED TO ANY OTHER FORMS WITHOUT PERMISSION FROM FLEXXON GLOBAL LIMITED.

1. ELECTRICAL SPECIFICATIONS



Model No.: 193H3090FLH

Description: PZ BUZZER SINGLE 9VDC 135mmLL "UL1007 AWG28" PBT RoHS

<i>MODEL NO.</i>	<u>193H3090FLH</u>
<i>OPERATING VOLTAGE RANGE (VDC)</i>	3 ~ 20
<i>RATED VOLTAGE (VDC)</i>	9
* <i>MAX. RATED CURRENT (mA)</i>	10
* <i>MIN. SOUND OUTPUT (dBA/ 30 cm)</i>	82
* <i>FREQUENCY (Hz)</i>	3400 ± 500
<i>TONE NATURE</i>	SINGLE
<i>OPERATING TEMPERATURE (°C)</i>	- 20 ~ +65
<i>TERMINAL</i>	UL1007 , AWG#28
<i>HOUSING MATERIAL</i>	PBT
<i>WEIGHT (g)</i>	4.0

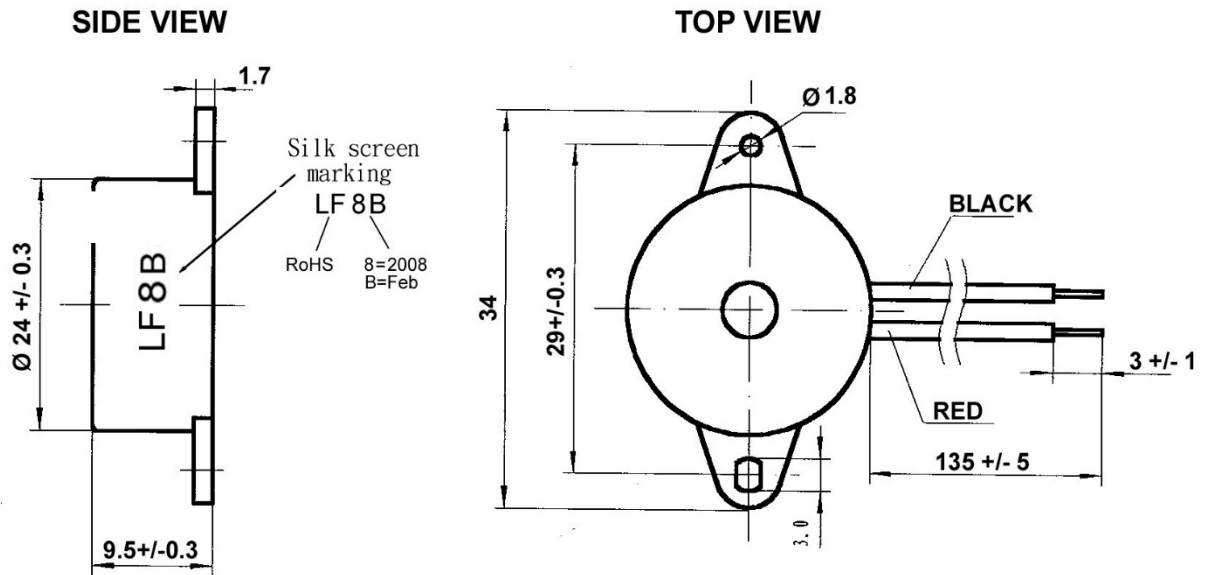
* Value applying at rated voltage

2. PHYSICAL DIMENSION



All dimensions stated are in mm

Tolerance: $\pm 0.5\text{mm}$



FLEZON

Revision History

Revision	Date	Description
1.0	2008/06	Label marking change to silk screen marking.

FLEZON CONFIDENTIAL