



# Piezo Buzzer Specification

## Series FZ-V1968

Model Number: 196H3480LFTA-001

Version 1.0

Address: 28 Genting Lane, #08-07 Platinum 28, Singapore 349585

Tel: +65-6493 5035

Fax: +65-6493 5037

Website: <http://www.flezon.com>

Email: [flezon@flezon.com](mailto:flezon@flezon.com)

ALL RIGHTS ARE STRICTLY RESERVED. ANY PORTION OF THIS PAPER SHALL NOT BE REPRODUCED, COPIED, OR TRANSLATED TO ANY OTHER FORMS WITHOUT PERMISSION FROM FLEXXON GLOBAL LIMITED.

# 1. ELECTRICAL SPECIFICATIONS



**Model No.:** 196H3480LFTA-001

**Description:** PZ BUZZER SINGLE 9V/40V PLT ABS RoHS

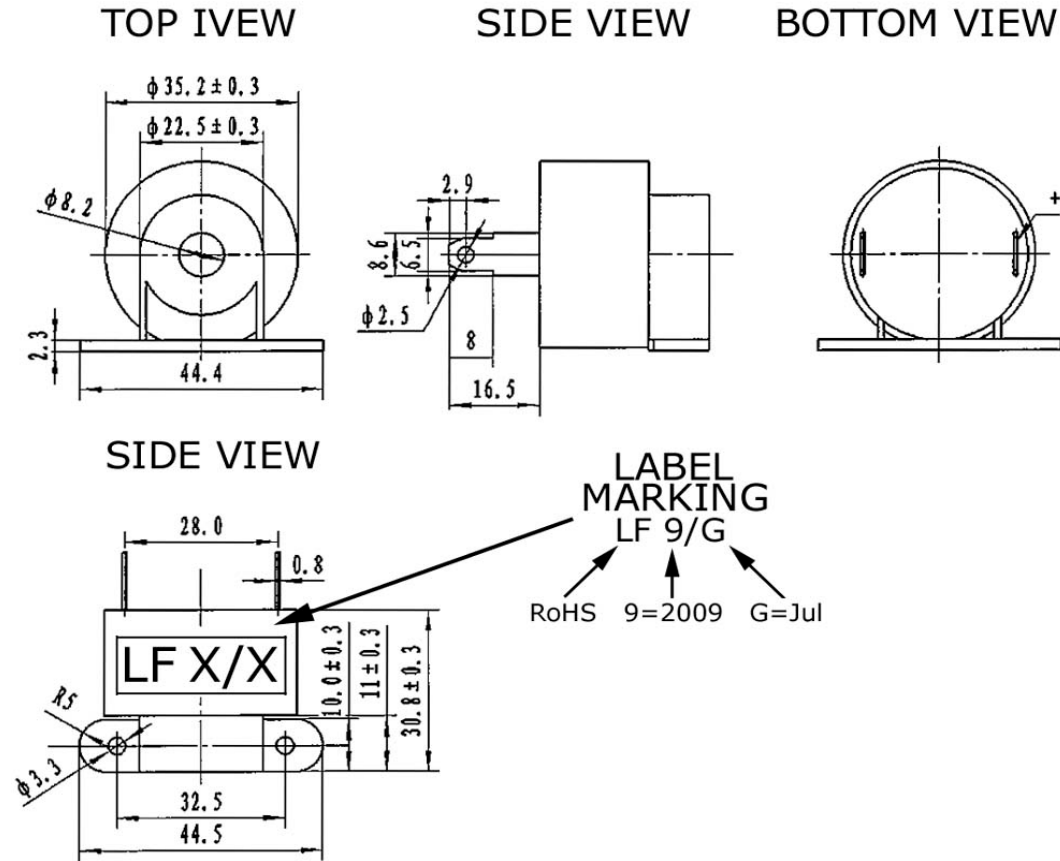
MODEL NO.	196H3480LFTA-001	
OPERATING VOLTAGE RANGE ( VDC )		9 ~ 48
RATED VOLTAGE ( VDC )		9
RATED VOLTAGE ( VDC )		40
* MAX. RATED CURRENT ( mA )		30
MIN. SOUND OUTPUT (9VDC) ( dBA/ 60 cm )		75 ± 8
* MIN. SOUND OUTPUT (40VDC) ( dBA/ 60 cm )		80 ± 8
* FREQUENCY ( Hz )		2800 ± 500
TONE NATURE		SINGLE
OPERATING TEMPERATURE ( ° C )		- 20 ~ +60
TERMINAL		PLATE
HOUSING MATERIAL		ABS
WEIGHT ( g )		26

\* Value applying at rated voltage

## 2. PHYSICAL DIMENSION



All dimensions stated are in mm



FLEZON

FLEZON

## Revision History

Revision	Date	Description
1.0	2009.07	First Released

FLEZON CONFIDENTIAL