



Piezo Buzzer Specification

Series FZ-V1978

Model Number: 197H4120LFMP

Version 1.0

Address: 28 Genting Lane, #08-07 Platinum 28, Singapore 349585

Tel: +65-6493 5035

Fax: +65-6493 5037

Website: <http://www.flezon.com>

Email: flezon@flezon.com

ALL RIGHTS ARE STRICTLY RESERVED. ANY PORTION OF THIS PAPER SHALL NOT BE REPRODUCED, COPIED, OR TRANSLATED TO ANY OTHER FORMS WITHOUT PERMISSION FROM FLEZON GLOBAL LIMITED.

1. ELECTRICAL SPECIFICATIONS



Model No.: 197H4120LFMP

Description: PZ BUZZER SINGLE 12V SMD PPS RoHS

<i>MODEL NO.</i>	<u>197H4120LFMP</u>
<i>OPERATING VOLTAGE RANGE (VDC)</i>	3 ~ 16
<i>RATED VOLTAGE (VDC)</i>	12
* <i>MAX. RATED CURRENT (mA)</i>	10
* <i>MIN. SOUND OUTPUT (dBA/ 30 cm)</i>	85
* <i>FREQUENCY (Hz)</i>	4000 ± 500
<i>TONE NATURE</i>	SINGLE
<i>OPERATING TEMPERATURE (°C)</i>	- 20 ~ +75
<i>TERMINAL</i>	SMD
<i>HOUSING MATERIAL</i>	PPS
<i>WEIGHT (g)</i>	1.6

* Value applying at rated voltage

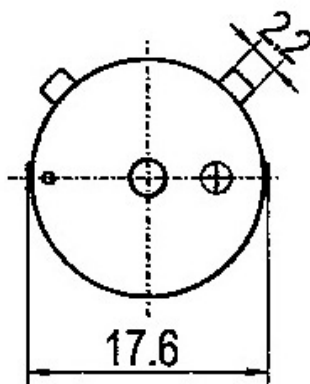
2. PHYSICAL DIMENSION



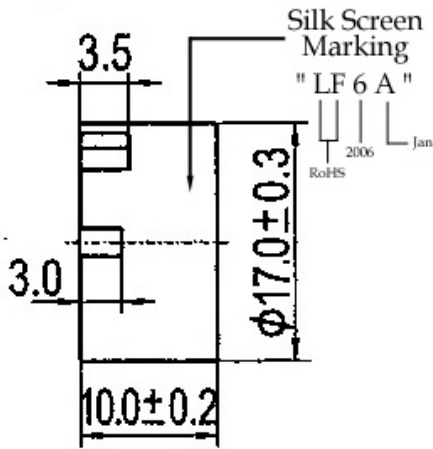
All dimensions stated are in mm

Tolerance: $\pm 0.5\text{mm}$

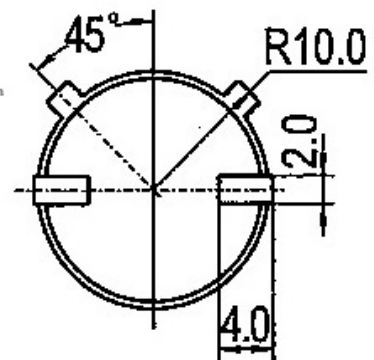
TOP VIEW



SIDE VIEW



BOTTOM VIEW



FLEZON CO.

Revision History

Revision	Date	Description
1.0	2006/01	First release

FLEZON CONFIDENTIAL