



External Drive Piezo Transducer Specification

Series FZ-V2068

Model Number: 206PA14400LFPN

Version 1.0

Address: 28 Genting Lane, #08-07 Platinum 28, Singapore 349585

Tel: +65-6493 5035

Fax: +65-6493 5037

Website: <http://www.flezon.com>

Email: flezon@flezon.com

1. ELECTRICAL SPECIFICATIONS



Model No.: 206PA14400LFPN

Description: PZ TRANSDUCER 10V PIN NORYL RoHS

<i>MODEL NO.</i>	<u>206PA14400LFPN</u>
<i>SOUND PRESSURE LEVEL</i>	85dBA min. (10VP-P Square Wave,10cm,4KHz)
<i>SOUND PRESSURE LEVEL</i>	75dBA min. (10VP-P Square Wave,10cm,3.6KHz)
<i>CAPACITANCE</i>	13000 pF ± 30 % at 120 Hz
* <i>MAX. INPUT VOLTAGE</i>	30.0 V p-p
<i>OPERATING TEMPERATURE</i>	-20 ~ +70 ° C
<i>TERMINAL</i>	PIN
<i>HOUSING MATERIAL</i>	NORYL
* <i>WEIGHT</i>	1 g

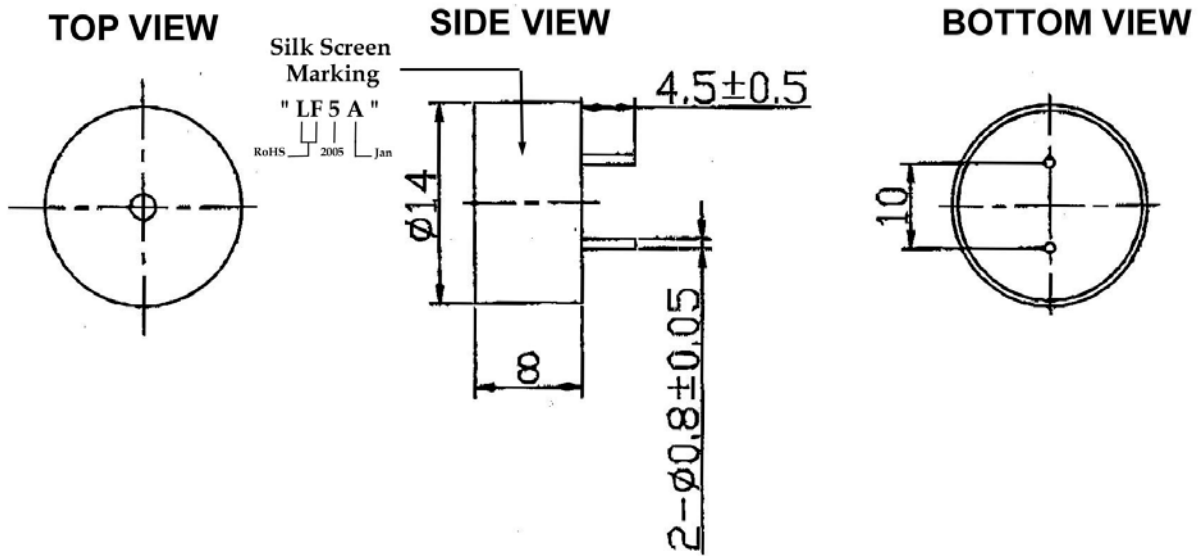
FLEZON CONFIDENTIAL

2. PHYSICAL DIMENSION



All dimensions stated are in mm

Tolerance: $\pm 0.5\text{mm}$



Revision History

Revision	Date	Description
1.0	2005/11	First release

FLEZON CONFIDENTIAL