



# External Drive Piezo Transducer Specification

## Series FZ-V2088

Model Number: 208PA18200LFMP

Version 1.0

Address: 28 Genting Lane, #08-07 Platinum 28, Singapore 349585

Tel: +65-6493 5035

Fax: +65-6493 5037

Website: <http://www.flezon.com>

Email: [flezon@flezon.com](mailto:flezon@flezon.com)

## 1. ELECTRICAL SPECIFICATIONS



Model No.: 208PA18200LFMP

Description: PZ TRANSDUCER 3.6V SMD PPS SP

1 ) RoHS

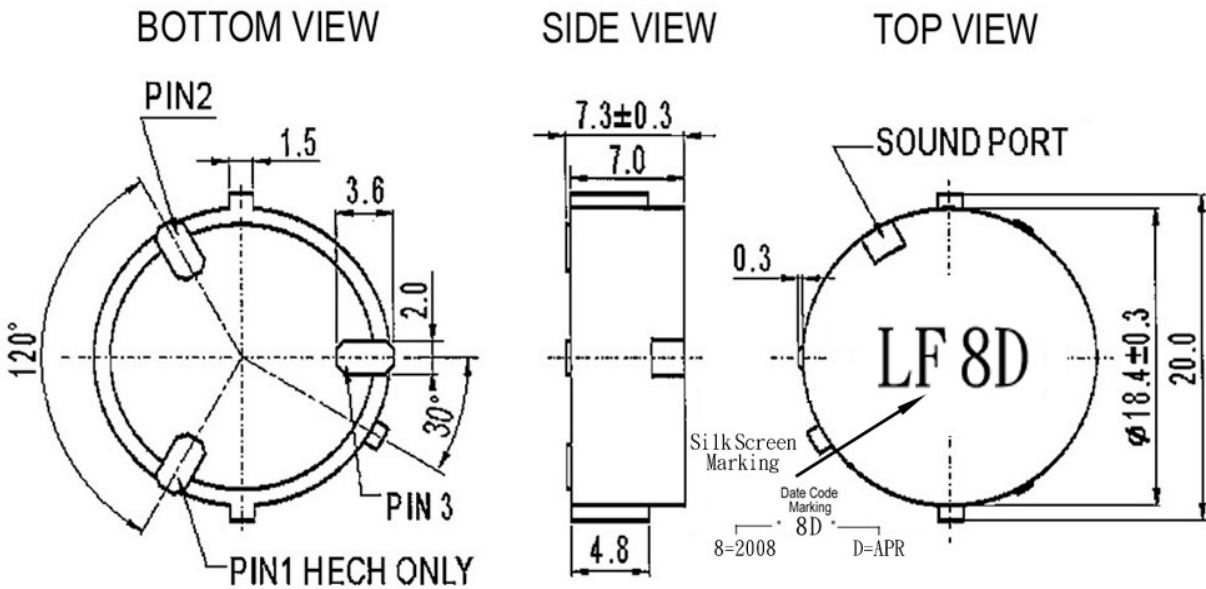
<i>MODEL NO.</i>	<b>208PA18200LFMP</b>
<i>SOUND PRESSURE LEVEL</i>	75.0 dBA min. ( 3.6 V p-p Square Wave , 10 cm , 2000 Hz )
<i>CAPACITANCE</i>	34000 pF $\pm$ 30 % at 120 Hz
* <i>MAX. INPUT VOLTAGE</i>	25.0 V p-p
* <i>OPERATING TEMPERATURE</i>	-20 ~ +70 ° C
<i>TERMINAL</i>	SMD
<i>HOUSING MATERIAL</i>	PPS
* <i>WEIGHT</i>	2.0 g

## 2. PHYSICAL DIMENSION



All dimensions stated are in mm

Tolerance:  $\pm 0.5$ mm



FLEZON CO.

## Revision History

Revision	Date	Description
1.0	2008/04	First release

FLEZON CONFIDENTIAL