



# Mechanical Buzzer Specification

## Series FZ-V208

Model Number: 20H1030LFLA

Version 1.0

Address: 28 Genting Lane, #08-07 Platinum 28, Singapore 349585

Tel: +65-6493 5035

Fax: +65-6493 5037

Website: <http://www.flezon.com>

Email: [flezon@flezon.com](mailto:flezon@flezon.com)

# 1. ELECTRICAL SPECIFICATIONS



**Model No.:** 20H1030LHLA

**Description:** MC BUZZER SINGLE 3VDC L/W ABS SP RoHS

<i>MODEL NO.</i>	<u>20H1030LHLA</u>
<i>OPERATING VOLTAGE RANGE ( VDC )</i>	2.0 ~ 4.0
<i>RATED VOLTAGE ( VDC )</i>	3.0
* <i>MAX. RATED CURRENT ( mA )</i>	20.0
* <i>MIN. SOUND OUTPUT ( dBA/ 20 cm )</i>	70.0
* <i>FREQUENCY ( Hz )</i>	400 ± 100
<i>TONE NATURE</i>	SINGLE
<i>OPERATING TEMPERATURE ( °C )</i>	-20 ~ +65
<i>TERMINAL</i>	LEADWIRE
<i>HOUSING MATERIAL</i>	ABS
<i>WEIGHT ( g )</i>	8.0

\* Value applying at rated voltage

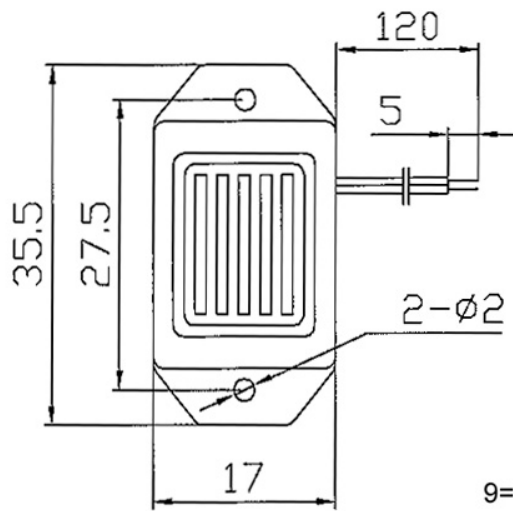
## 2. PHYSICAL DIMENSION



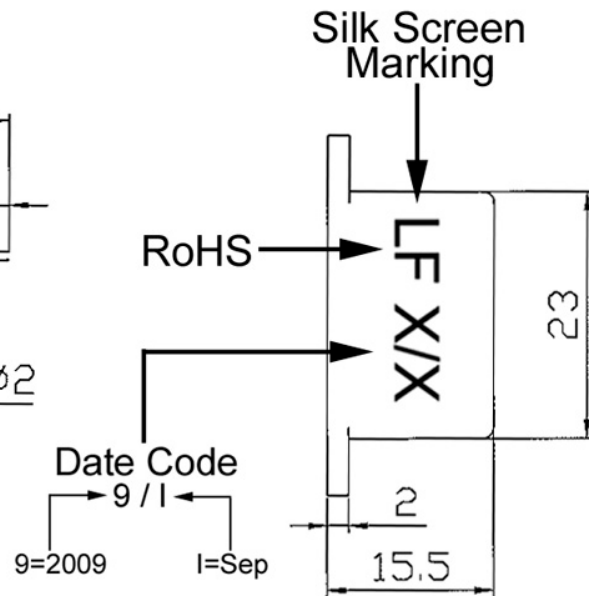
All dimensions stated are in mm

Tolerance:  $\pm 0.5\text{mm}$

### TOP VIEW



### SIDE VIEW



FLEZON

## Revision History

Revision	Date	Description
1.0	2009/09	First release

FLEZON CONFIDENTIAL