



# Piezo Buzzer Specification

## Series FZ-V2138

Model Number: 213H2120LFPA

Version 1.0

Address: 28 Genting Lane, #08-07 Platinum 28, Singapore 349585

Tel: +65-6493 5035

Fax: +65-6493 5037

Website: <http://www.flezon.com>

Email: [flezon@flezon.com](mailto:flezon@flezon.com)

ALL RIGHTS ARE STRICTLY RESERVED. ANY PORTION OF THIS PAPER SHALL NOT BE REPRODUCED, COPIED, OR TRANSLATED TO ANY OTHER FORMS WITHOUT PERMISSION FROM FLEXXON GLOBAL LIMITED.

# 1. ELECTRICAL SPECIFICATIONS



**Model No.:** 213H2120LFPA

**Description:** PZ BUZZER SINGLE 12V PIN ABS RoHS

| <i>MODEL NO.</i>                         | <b><u>213H2120LFPA</u></b> |
|--|----------------------------|
| <i>OPERATING VOLTAGE RANGE ( VDC )</i>   | 3.0 ~ 30.0                 |
| <i>RATED VOLTAGE ( VDC )</i>             | 12.0                       |
| * <i>MAX. RATED CURRENT ( mA )</i>       | 12.0                       |
| * <i>MIN. SOUND OUTPUT ( dBA/ 10cm )</i> | 87                         |
| * <i>FREQUENCY ( Hz )</i>                | 1800 ± 500                 |
| <i>TONE NATURE</i>                       | SINGLE                     |
| <i>OPERATING TEMPERATURE ( °C )</i>      | - 20 ~ + 70                |
| <i>TERMINAL</i>                          | PIN                        |
| <i>HOUSING MATERIAL</i>                  | ABS                        |
| <i>WEIGHT ( g )</i>                      | 5.0                        |

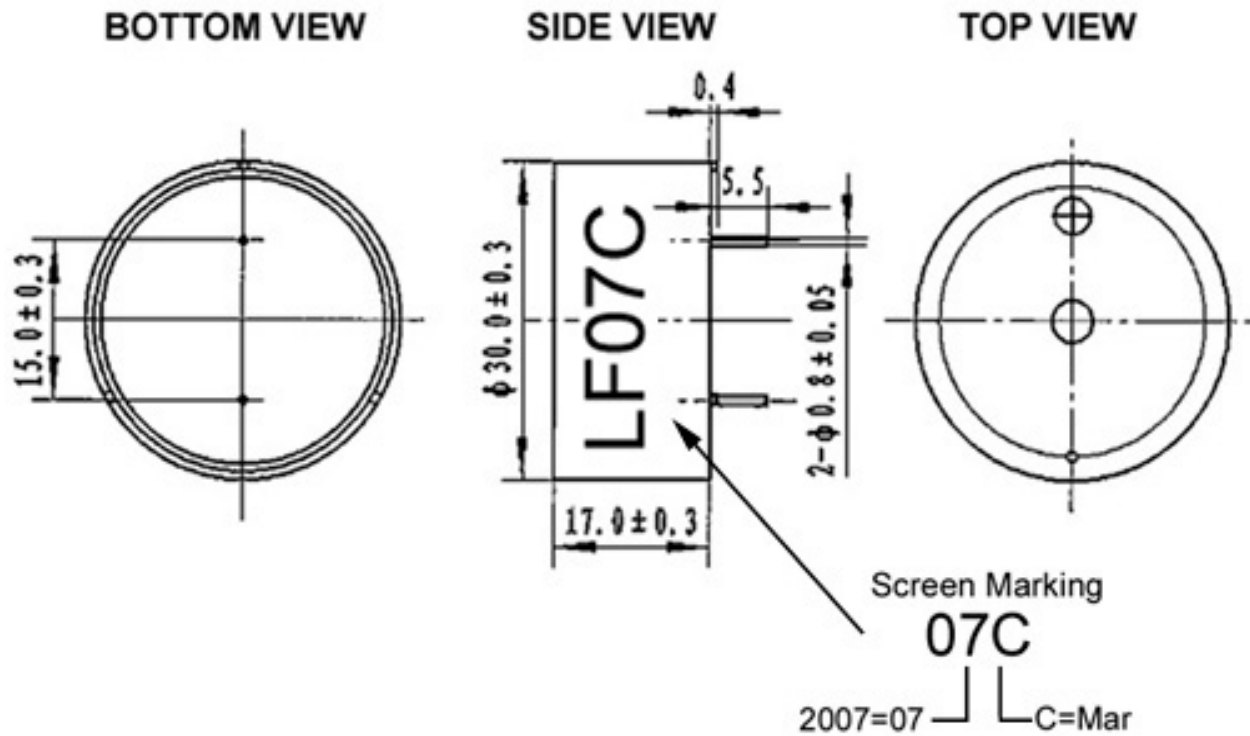
\* Value applying at rated voltage

## 2. PHYSICAL DIMENSION



All dimensions stated are in mm

Tolerance:  $\pm 0.5\text{mm}$



FLEZON

## Revision History

| Revision | Date    | Description   |
|----------|---------|---------------|
| 1.0      | 2007/03 | First release |
|          |         |               |
|          |         |               |

FLEZON CONFIDENTIAL