



External Drive Piezo Transducer Specification

Series FZ-V2168

Model Number: 216PA46320LFTP

Version 1.0

Address: 28 Genting Lane, #08-07 Platinum 28, Singapore 349585

Tel: +65-6493 5035

Fax: +65-6493 5037

Website: <http://www.flezon.com>

Email: flezon@flezon.com

1. ELECTRICAL SPECIFICATIONS



Model No.: 216PA46320LFTP

Description PZ TRANSDUCER 12V PA66 PLT RoHS

<i>MODEL NO.</i>	<u>216PA46320LFTP</u>
<i>SOUND PRESSURE LEVEL</i>	100.0 dBA min. (12.0Vrms Sine Wave , 30 cm , 3200 Hz)
<i>CAPACITANCE</i>	25000 pF ± 30 % at 120 Hz
* <i>MAX. INPUT VOLTAGE</i>	40.0 Vrms
<i>OPERATING TEMPERATURE</i>	-40 ~ +105 °C
<i>TERMINAL</i>	PLATE
<i>HOUSING MATERIAL</i>	PA66
* <i>WEIGHT</i>	11.0 g

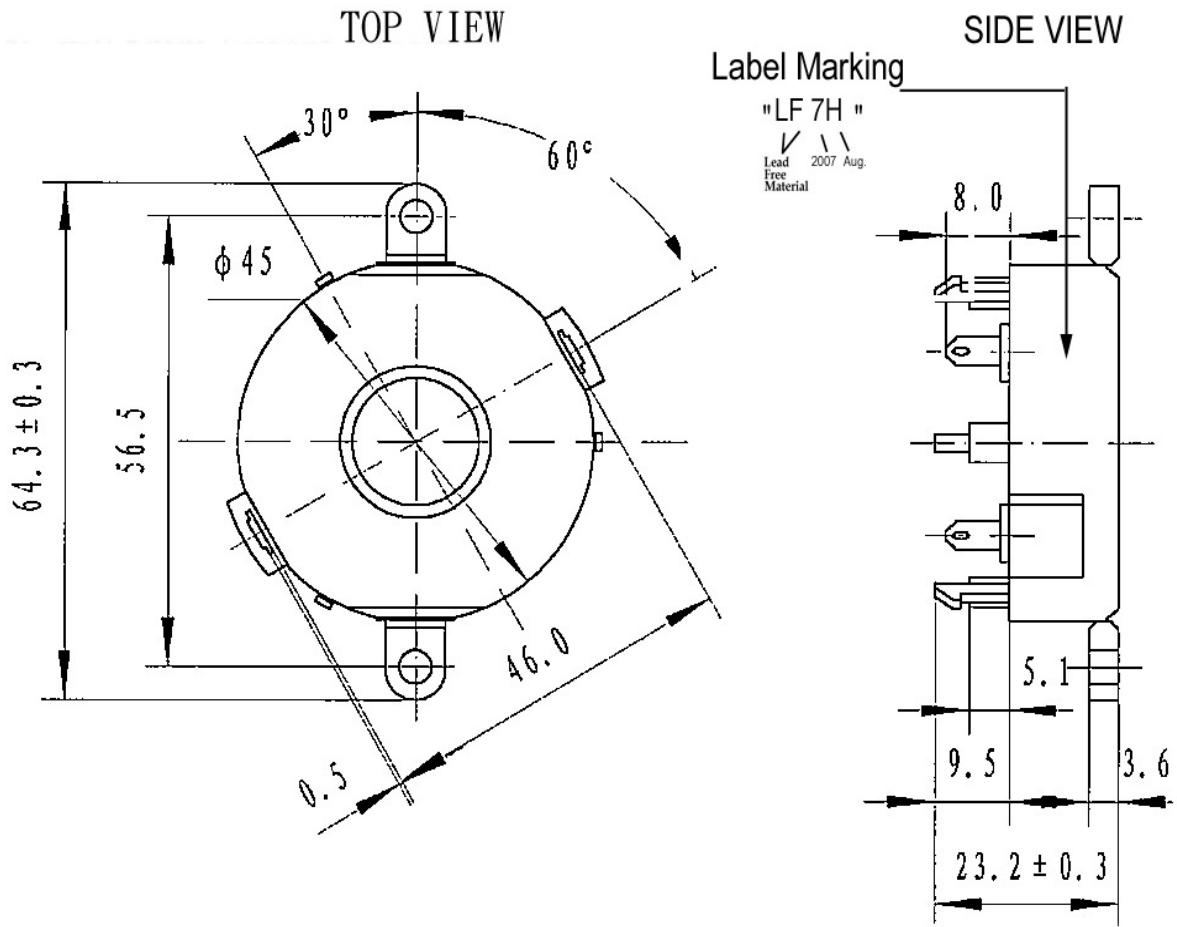
FLEZON CONFIDENTIAL

2. PHYSICAL DIMENSION



All dimensions stated are in mm

Tolerance: $\pm 0.5\text{mm}$



FLEZON

Revision History

Revision	Date	Description
1.0	2007/10	Modify Operating Temp. +60 ° C change to +105 ° C

FLEZON CONFIDENTIAL