



# Magnetic Buzzer Specification

## Series FZ-V28

Model Number: 2H3060LFLA

Version 1.0

Address: 28 Genting Lane, #08-07 Platinum 28, Singapore 349585

Tel: +65-6493 5035

Fax: +65-6493 5037

Website: <http://www.flezon.com>

Email: [flezon@flezon.com](mailto:flezon@flezon.com)

ALL RIGHTS ARE STRICTLY RESERVED. ANY PORTION OF THIS PAPER SHALL NOT BE REPRODUCED, COPIED, OR TRANSLATED TO ANY OTHER FORMS WITHOUT PERMISSION FROM FLEXXON GLOBAL LIMITED.

# 1. ELECTRICAL SPECIFICATIONS



**Model No.:** 2H3060LFLA

**Description:** MT BUZZER PULSE 6VDC L/W ABS RoHS

<b>MODEL NO.</b>	<b>2H3060LFLA</b>
<i>OPERATING VOLTAGE RANGE ( VDC )</i>	4.0 ~ 9.0
<i>RATED VOLTAGE ( VDC )</i>	6.0
* <i>MAX. RATED CURRENT ( mA )</i>	10.0
* <i>MIN. SOUND OUTPUT ( dBA/ 30 cm )</i>	78.0
* <i>FREQUENCY ( Hz )</i>	2800 ± 300
<i>TONE NATURE</i>	PULSE
<i>OPERATING TEMPERATURE ( °C )</i>	- 20.0 ~ + 60.0
<i>TERMINAL</i>	- 30.0 ~ + 70.0
<i>HOUSING MATERIAL</i>	LEADWIRE ( UL1007 , AWG#28 )
<i>WEIGHT ( g )</i>	ABS

\* Value applying at rated voltage

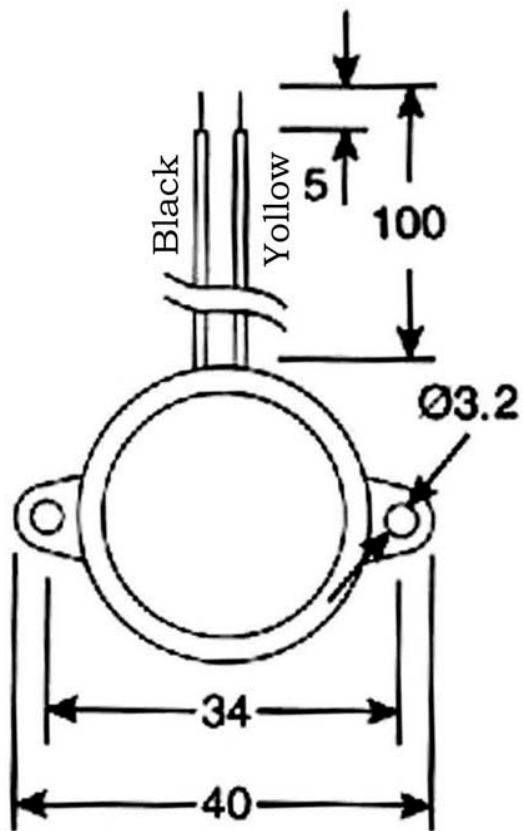
## 2. PHYSICAL DIMENSION



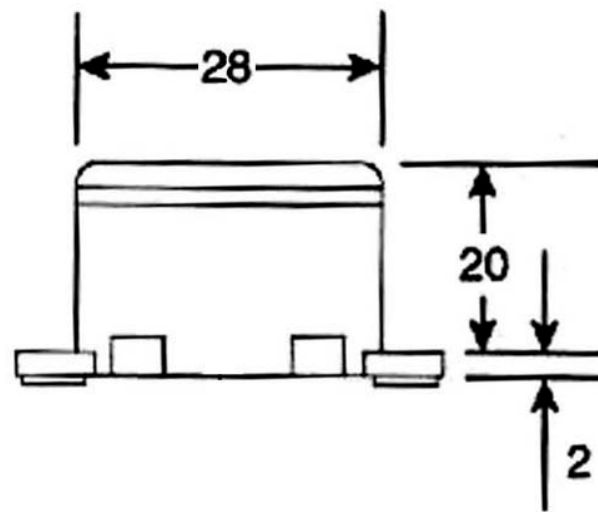
All dimensions stated are in mm

Tolerance:  $\pm 0.5\text{mm}$

**TOP VIEW**



**SIDE VIEW**



FLEZON

## Revision History

Revision	Date	Description
1.0	2013/07	First release

FLEZON CONFIDENTIAL