



# Piezo Buzzer Specification

## Series FZ-V328

Model Number: 32H4120LFPN

Version 1.0

Address: 28 Genting Lane, #08-07 Platinum 28, Singapore 349585

Tel: +65-6493 5035

Fax: +65-6493 5037

Website: <http://www.flezon.com>

Email: [flezon@flezon.com](mailto:flezon@flezon.com)

ALL RIGHTS ARE STRICTLY RESERVED. ANY PORTION OF THIS PAPER SHALL NOT BE REPRODUCED, COPIED, OR TRANSLATED TO ANY OTHER FORMS WITHOUT PERMISSION FROM FLEXXON GLOBAL LIMITED.

## 1. ELECTRICAL SPECIFICATIONS



Model No.: 32H4120LFPN

Description: PZ BUZZER SINGLE 12VDC PIN NORYL  
SS"32H4120LF" & "+" & "DATE CODE"  
RoHs COMPLIANT

<i>MODEL NO.</i>	<b>32H4120LFPN</b>
<i>OPERATING VOLTAGE RANGE ( VDC )</i>	3 ~ 16
<i>RATED VOLTAGE ( VDC )</i>	12
* <i>MAX. RATED CURRENT ( mA )</i>	7
* <i>MIN. SOUND OUTPUT ( dBA/ 10cm )</i>	80
* <i>FREQUENCY ( Hz )</i>	4000 ± 500
<i>TONE NATURE</i>	SINGLE
<i>OPERATING TEMPERATURE ( ° C )</i>	- 20 ~ +60
<i>TERMINAL</i>	PIN
<i>HOUSING MATERIAL</i>	NORYL
<i>WEIGHT ( g )</i>	1

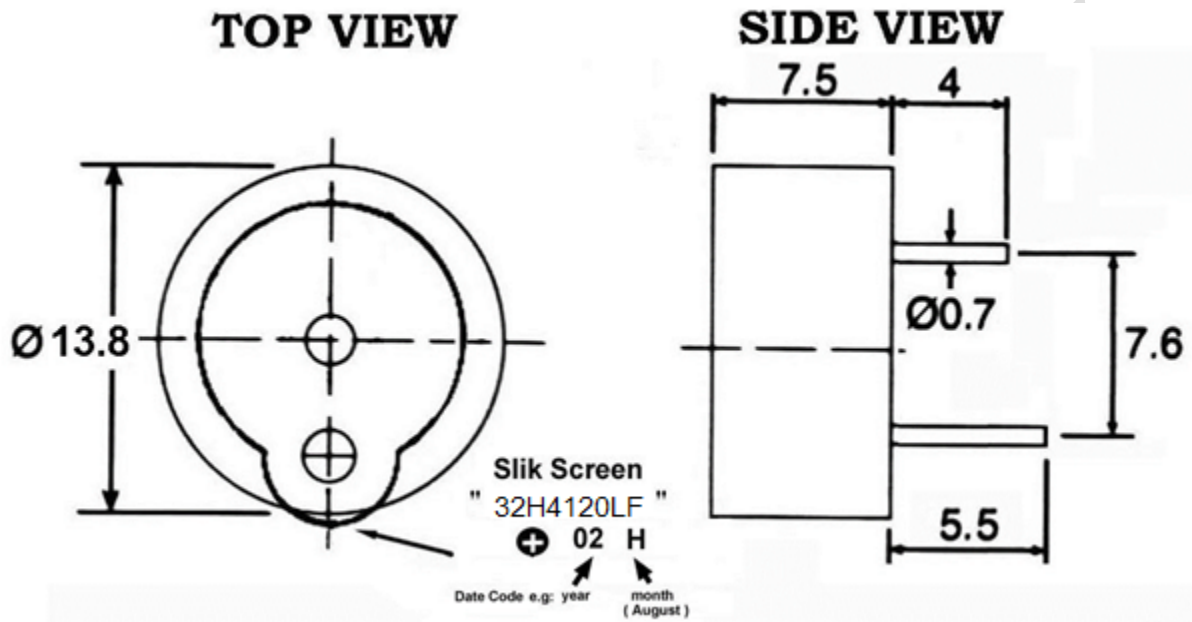
\* Value applying at rated voltage

## 2. PHYSICAL DIMENSION



All dimensions stated are in mm

Tolerance:  $\pm 0.5\text{mm}$



FLEZON

## Revision History

Revision	Date	Description
1.0	2012/07	First release

FLEZON CONFIDENTIAL