



Mechanical Buzzer Specification

Series FZ-V348

Model Number: 34H1120LFPN

Version 1.0

Address: 28 Genting Lane, #08-07 Platinum 28, Singapore 349585

Tel: +65-6493 5035

Fax: +65-6493 5037

Website: <http://www.flezon.com>

Email: flezon@flezon.com

1. ELECTRICAL SPECIFICATIONS

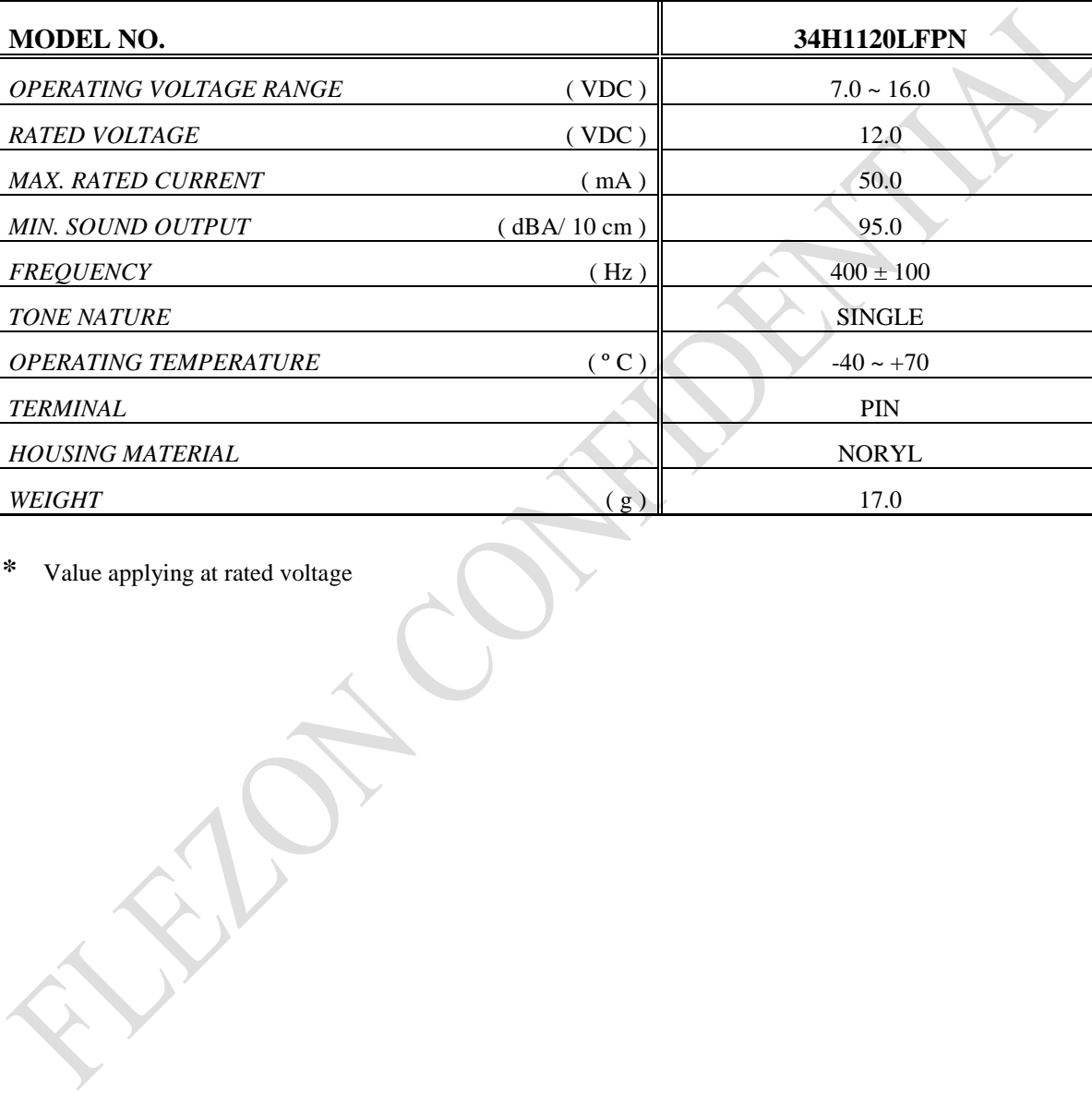


Model No.: 34H1120LFPN

Description: MC BUZZER SINGLE 12VDC PIN NORYL SP RoHS

MODEL NO.		34H1120LFPN
<i>OPERATING VOLTAGE RANGE</i>	(VDC)	7.0 ~ 16.0
<i>RATED VOLTAGE</i>	(VDC)	12.0
* <i>MAX. RATED CURRENT</i>	(mA)	50.0
* <i>MIN. SOUND OUTPUT</i>	(dBA/ 10 cm)	95.0
* <i>FREQUENCY</i>	(Hz)	400 ± 100
<i>TONE NATURE</i>		SINGLE
<i>OPERATING TEMPERATURE</i>	(° C)	-40 ~ +70
<i>TERMINAL</i>		PIN
<i>HOUSING MATERIAL</i>		NORYL
<i>WEIGHT</i>	(g)	17.0

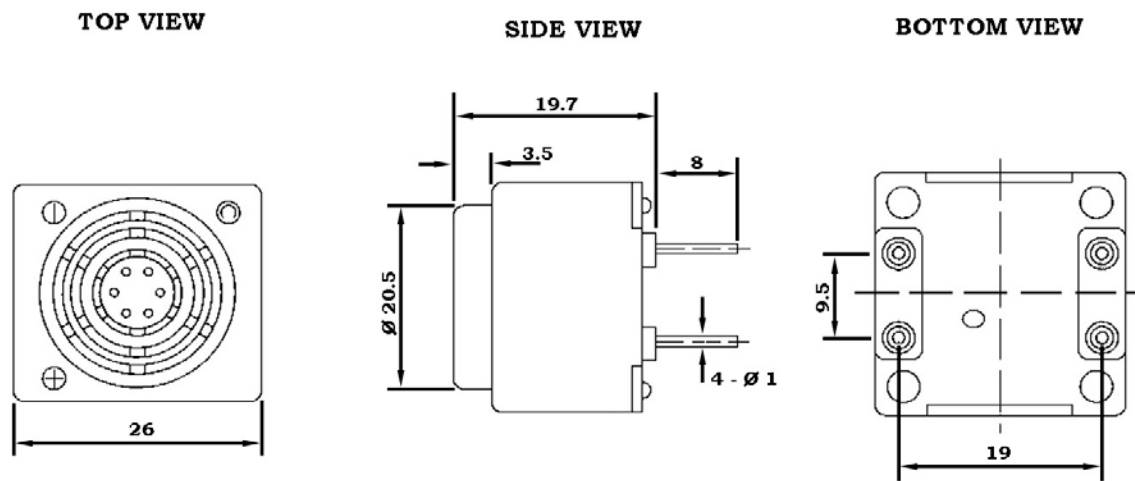
* Value applying at rated voltage



2. PHYSICAL DIMENSION



All dimensions stated are in mm



FLEZON CONFIDENTIAL

Revision History

Revision	Date	Description
1.0	2008.09	First Released

FLEZON CONFIDENTIAL