



External Drive Piezo Transducer Specification

Series FZ-V508

Model Number: 50PA23400LFLA

Version 1.0

Address: 28 Genting Lane, #08-07 Platinum 28, Singapore 349585

Tel: +65-6493 5035

Fax: +65-6493 5037

Website: <http://www.flezon.com>

Email: flezon@flezon.com

1. ELECTRICAL SPECIFICATIONS



Model No.: 50PA23400LFLA

Description PZ TRANSDUCER 12V L/W ABS

<i>MODEL NO.</i>	50PA23400LFLA
<i>SOUND PRESSURE LEVEL</i>	80 dBA min. (12V p-p Square Wave,30cm,4.0KHz)
<i>CAPACITANCE</i>	24000 pF \pm 30 % at 120 Hz
* <i>MAX. INPUT VOLTAGE</i>	40.0 V p-p
* <i>OPERATING TEMPERATURE</i>	-20 ~ +60 ° C
<i>TERMINAL</i>	LEADWIRE
<i>HOUSING MATERIAL</i>	ABS
* <i>WEIGHT</i>	2.0 g

FLEZON CONFIDENTIAL

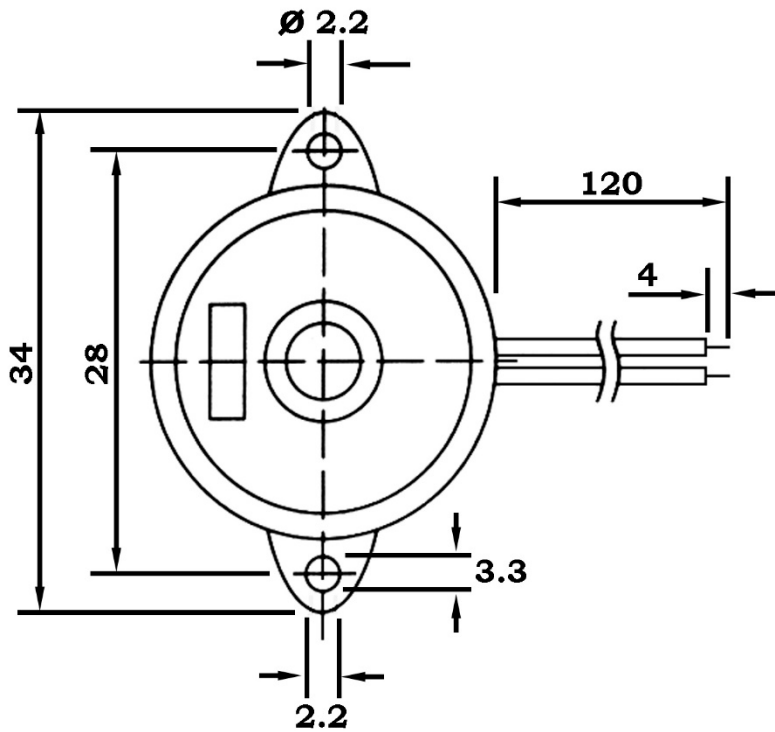
2. PHYSICAL DIMENSION



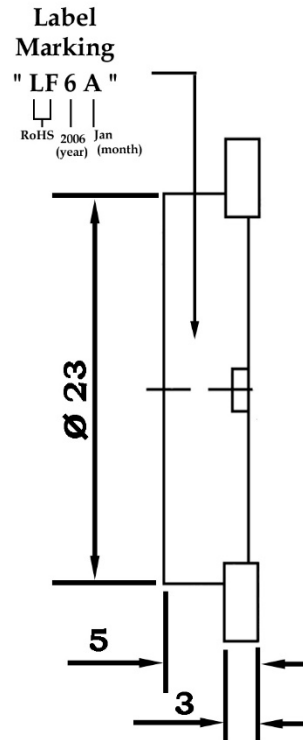
All dimensions stated are in mm

Tolerance: $\pm 0.5\text{mm}$

TOP VIEW



SIDE VIEW



FLEZON

Revision History

Revision	Date	Description
1.0	2006/06	First release

FLEZON CONFIDENTIAL