



External Drive Piezo Transducer Specification

Series FZ-V528

Model Number: 52PA35130LFLA

Version 1.0

Address: 28 Genting Lane, #08-07 Platinum 28, Singapore 349585

Tel: +65-6493 5035

Fax: +65-6493 5037

Website: <http://www.flezon.com>

Email: flezon@flezon.com

1. ELECTRICAL SPECIFICATIONS



Model No.: 52PA35130LFLA

Description PZ TRANSDUCER 30V ABS L/W BRASS RoHS

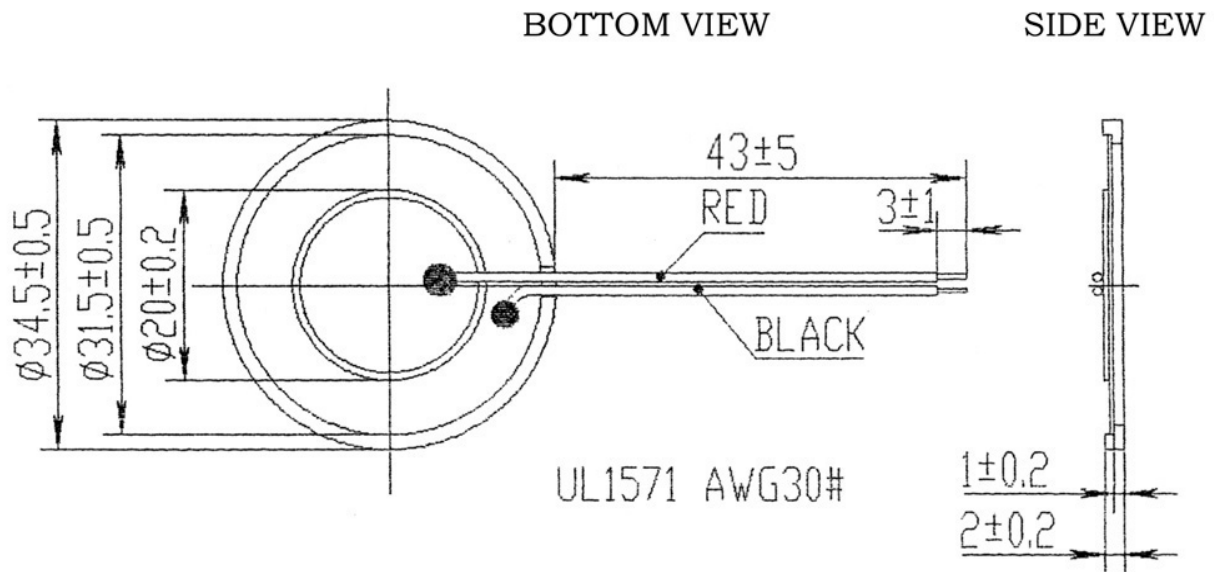
<i>MODEL NO.</i>	52PA35130LFLA
<i>SOUND PRESSURE LEVEL</i>	80.0 dBA min. (30.0V p-p Square Wave,10cm,1.3KHz)
<i>CAPACITANCE</i>	45000 pF \pm 30 % at 120 Hz
* <i>MAX. INPUT VOLTAGE</i>	40.0 V p-p
* <i>OPERATING TEMPERATURE</i>	-20 ~ +60 ° C
<i>TERMINAL</i>	LEADWIRE (UL1571 , AWG#30)
<i>HOUSING MATERIAL</i>	ABS
* <i>WEIGHT</i>	2.0 g

2. PHYSICAL DIMENSION



All dimensions stated are in mm

Tolerance: ± 0.5 mm



FLEZON CO., LTD.

Revision History

Revision	Date	Description
1.0	2007/08	First release

FLEZON CONFIDENTIAL