



# External Drive Piezo Transducer Specification

## Series FZ-V608

Model Number: 60PA22400LFPH

Version 1.0

Address: 28 Genting Lane, #08-07 Platinum 28, Singapore 349585

Tel: +65-6493 5035

Fax: +65-6493 5037

Website: <http://www.flezon.com>

Email: [flezon@flezon.com](mailto:flezon@flezon.com)

# 1. ELECTRICAL SPECIFICATIONS



**Model No.:** 60PA22400LFPH

**Description** PZ TRANSDUCER 3V PIN PBT SP RoHS

| <i>MODEL NO.</i>             | <b>60PA22400LFPH</b>                                   |
|------------------------------|--|
| <i>SOUND PRESSURE LEVEL</i>  | 80.0 dBA min. ( 3.0V rms Sine Wave , 10 cm , 4000 Hz ) |
| <i>CAPACITANCE</i>           | 15000 pF ± 30 % at 120 Hz                              |
| * <i>MAX. INPUT VOLTAGE</i>  | 30.0 V p-p   |
| <i>OPERATING TEMPERATURE</i> | -20 ~ +70 ° C  |
| <i>TERMINAL</i>              | PIN  |
| <i>HOUSING MATERIAL</i>      | PBT  |
| * <i>WEIGHT</i>              | 1.0 g  |

FLEZON CONFIDENTIAL

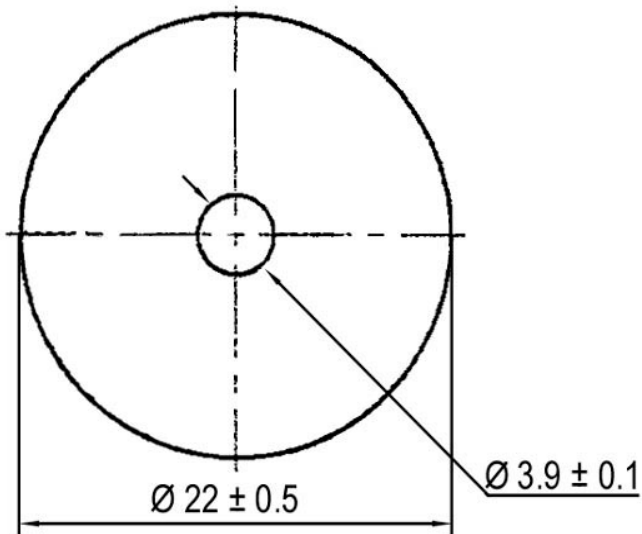
## 2. PHYSICAL DIMENSION



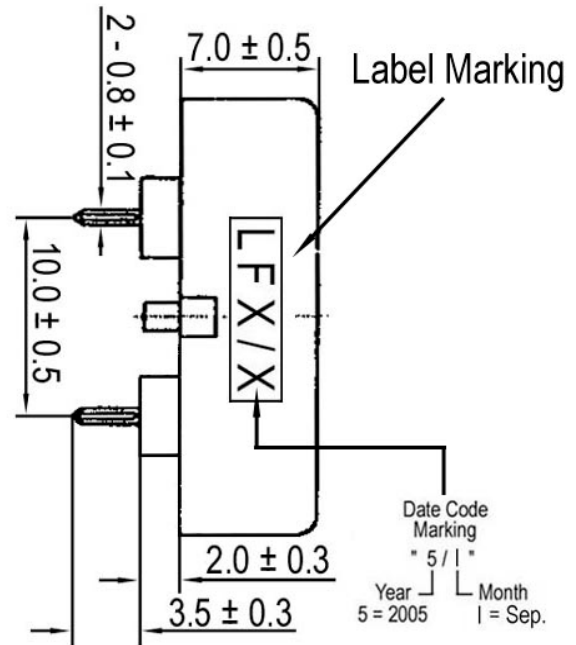
All dimensions stated are in mm

Tolerance:  $\pm 0.5\text{mm}$

### TOP VIEW



### SIDE VIEW



FLEZON

## Revision History

| Revision | Date    | Description   |
|----------|---------|---------------|
| 1.0      | 2005/09 | First release |
|          |         |               |
|          |         |               |

FLEZON CONFIDENTIAL