



Piezo Buzzer Specification

Series FZ-V628

Model Number: 62G3120LFLA

Version 1.0

Address: 28 Genting Lane, #08-07 Platinum 28, Singapore 349585

Tel: +65-6493 5035

Fax: +65-6493 5037

Website: <http://www.flezon.com>

Email: flezon@flezon.com

ALL RIGHTS ARE STRICTLY RESERVED. ANY PORTION OF THIS PAPER SHALL NOT BE REPRODUCED, COPIED, OR TRANSLATED TO ANY OTHER FORMS WITHOUT PERMISSION FROM FLEXXON GLOBAL LIMITED.

1. ELECTRICAL SPECIFICATIONS



Model No.: 62G3120LFLA

Description: PZ BUZZER TWO 12VDC L/W ABS SP RoHS

<i>MODEL NO.</i>	62G3120LFLA
<i>OPERATING VOLTAGE RANGE (VDC)</i>	6.0 ~ 16.0
<i>RATED VOLTAGE (VDC)</i>	12.0
* <i>MAX. RATED CURRENT (mA)</i>	65.0
* <i>MIN. SOUND OUTPUT (dBA/ 30cm)</i>	105.0
* <i>FREQUENCY (Hz)</i>	3000 ~ 3200 ± 500
<i>TONE NATURE</i>	TWO
<i>OPERATING TEMPERATURE (° C)</i>	- 20 ~ + 60
<i>TERMINAL</i>	LEADWIRE (UL1007 , AWG#24)
<i>HOUSING MATERIAL</i>	ABS
<i>WEIGHT (g)</i>	45.0

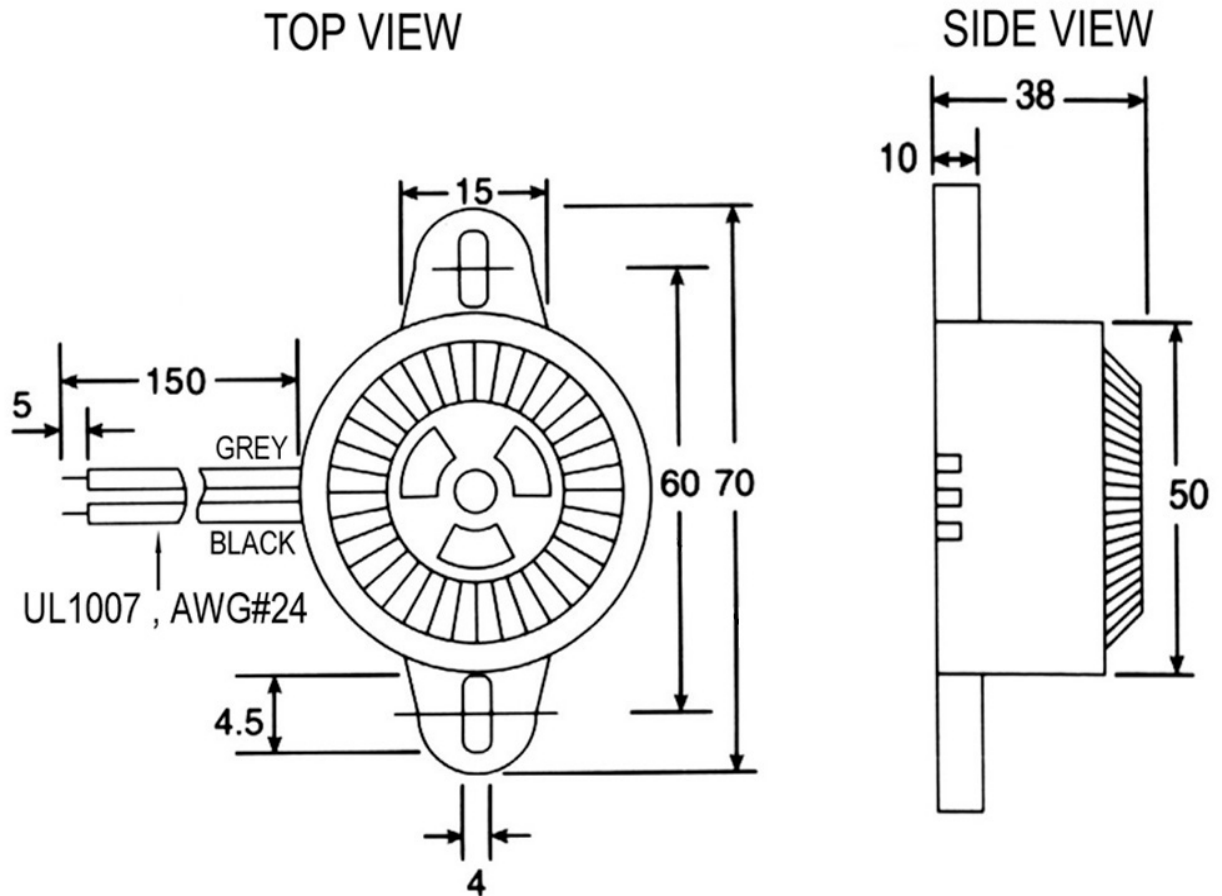
* Value applying at rated voltage

2. PHYSICAL DIMENSION



All dimensions stated are in mm

Tolerance: $\pm 0.5\text{mm}$



FLEZON

Revision History

Revision	Date	Description
1.0	2006/01	Modify Draw w/o Label

FLEZON CONFIDENTIAL