



Mechanical Buzzer Specification

Series FZ-V668

Model Number: 66H1120LFPA

Version 1.0

Address: 28 Genting Lane, #08-07 Platinum 28, Singapore 349585

Tel: +65-6493 5035

Fax: +65-6493 5037

Website: <http://www.flezon.com>

Email: flezon@flezon.com

1. ELECTRICAL SPECIFICATIONS



Model No.: 66H1120LFPA

Description: MC BUZZER SINGLE 12VDC PIN ABS RoHS

<i>MODEL NO.</i>	66H1120LFPA
<i>OPERATING VOLTAGE RANGE (VDC)</i>	9.0 ~ 15
<i>RATED VOLTAGE (VDC)</i>	12
* <i>MAX. RATED CURRENT (mA)</i>	25
* <i>MIN. SOUND OUTPUT (dBA/ 20 cm)</i>	75
* <i>FREQUENCY (Hz)</i>	400 ± 100
<i>TONE NATURE</i>	SINGLE
<i>OPERATING TEMPERATURE (°C)</i>	-10 ~ +60
<i>TERMINAL</i>	PIN
<i>HOUSING MATERIAL</i>	ABS
<i>WEIGHT (g)</i>	10

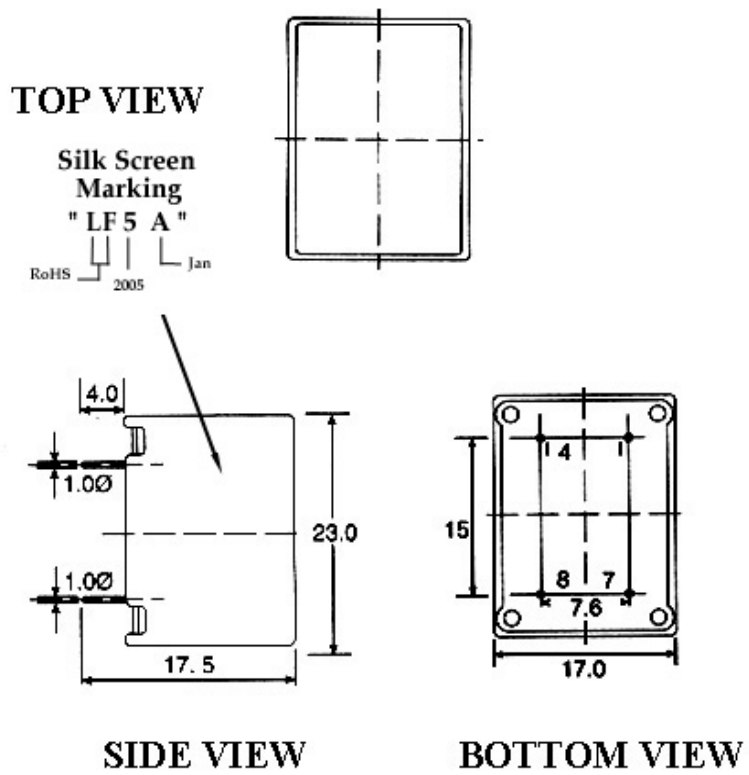
* Value applying at rated voltage

2. PHYSICAL DIMENSION



All dimensions stated are in mm

Tolerance: $\pm 0.5\text{mm}$



FLEZON

NTIAL

Revision History

Revision	Date	Description
1.0	2006/06	First release

FLEZON CONFIDENTIAL