



Self Drive Piezo Transducer Specification

Series FZ-V758

Model Number: 75PA23350LFPH

Version 1.0

Address: 28 Genting Lane, #08-07 Platinum 28, Singapore 349585

Tel: +65-6493 5035

Fax: +65-6493 5037

Website: <http://www.flezon.com>

Email: flezon@flezon.com

1. ELECTRICAL SPECIFICATIONS



Model No.: 75PA23350LFPH

Description: PZ TRANSDUCER 12VDC PIN PBT SP RoHS

<i>MODEL NO.</i>	<u>75PA23350LFPH</u>
<i>OPERATING VOLTAGE RANGE (VDC)</i>	3.0 ~ 18.0
<i>RATED VOLTAGE (VDC)</i>	12.0
<i>MAX. RATED CURRENT (mA)</i>	15.0
<i>MIN. SOUND OUTPUT (dBA/ 30 cm)</i>	80.0
<i>FREQUENCY (Hz)</i>	3500 ± 500
<i>OPERATING TEMPERATURE (°C)</i>	-20 ~ +60
<i>TERMINAL</i>	PIN
<i>HOUSING MATERIAL</i>	PBT
<i>WEIGHT (g)</i>	1.7

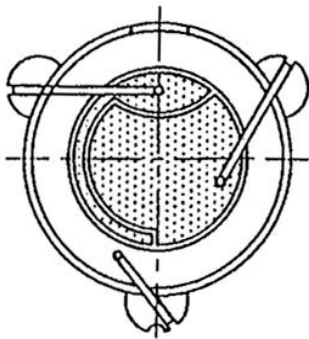
2. PHYSICAL DIMENSION



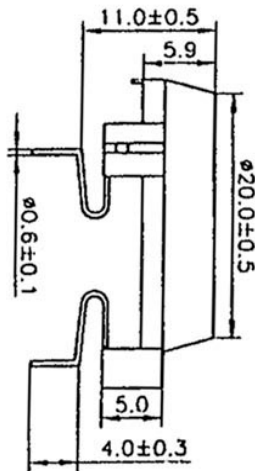
All dimensions stated are in mm

Tolerance: $\pm 0.5\text{mm}$

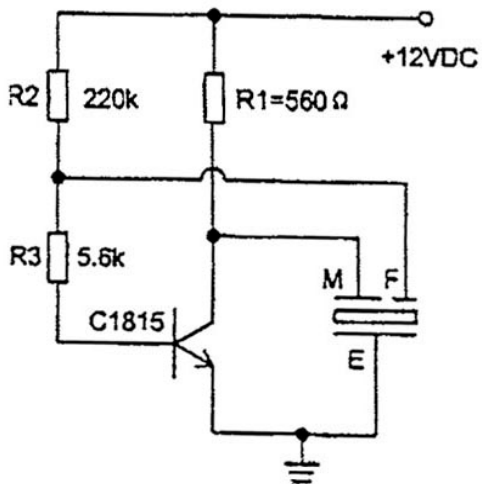
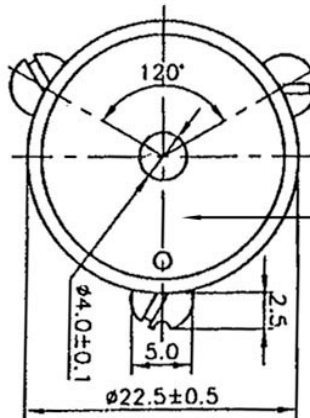
BOTTOM VIEW



SIDE VIEW



TOP VIEW



Recommended Test Circuit

Label Marking



Date Code Marking
" 5 / 1 "

Year | Month
5 = 2005 | = Sep.

Revision History

Revision	Date	Description
1.0	2005/09	First release

FLEZON CONFIDENTIAL