



Self Drive Piezo Transducer Specification

Series FZ-V768

Model Number: 76PA25680LFPY

Version 1.0

Address: 28 Genting Lane, #08-07 Platinum 28, Singapore 349585

Tel: +65-6493 5035

Fax: +65-6493 5037

Website: <http://www.flezon.com>

Email: flezon@flezon.com

1. ELECTRICAL SPECIFICATIONS



Model No.: 76PA25680LFPY

Description: PZ TRANSDUCER 12V PIN NYLON RoHS

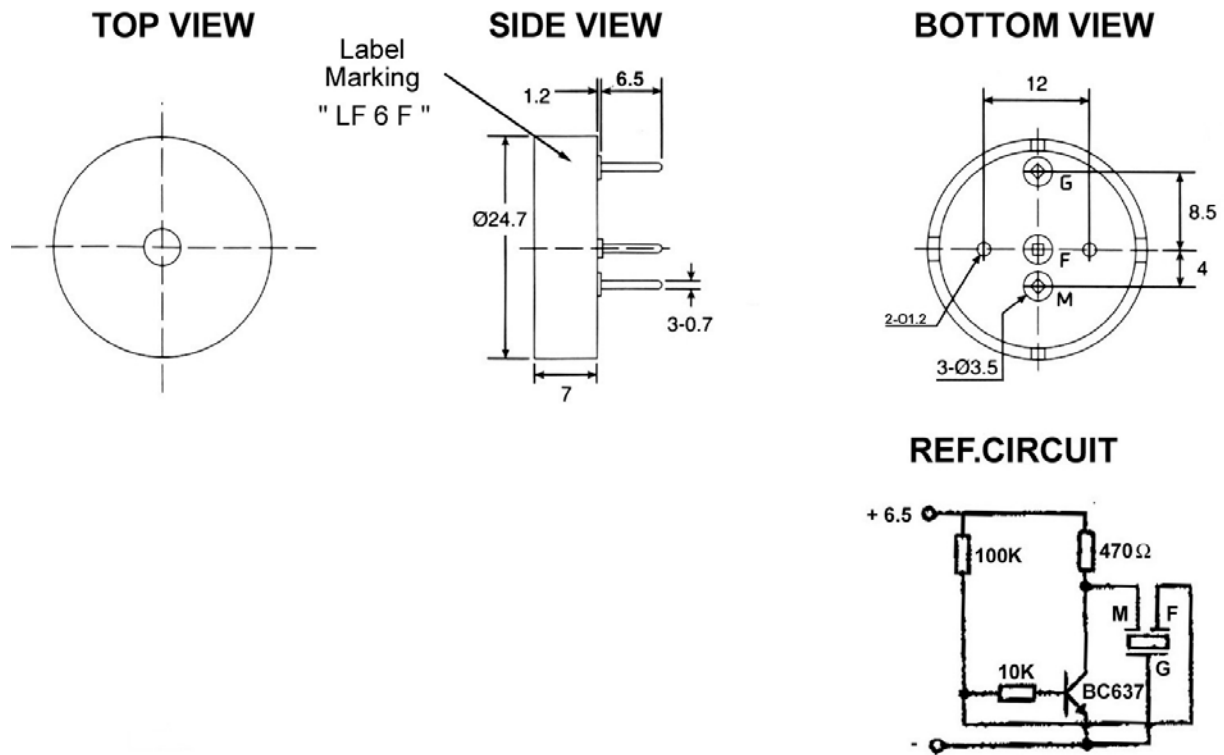
<i>MODEL NO.</i>	<u>76PA25680LFPY</u>
<i>OPERATING VOLTAGE RANGE (VDC)</i>	3.0 ~ 24.0
<i>RATED VOLTAGE (VDC)</i>	12
<i>MIN. SOUND OUTPUT (dBA/ 30 cm)</i>	90
<i>FREQUENCY (Hz)</i>	6800 ± 500
<i>MAX. CURRENT mA</i>	20
<i>OPERATING TEMPERATURE (° C)</i>	-20 ~ +70
<i>TERMINAL</i>	PIN
<i>HOUSING MATERIAL</i>	NYLON
<i>WEIGHT (g)</i>	2.5

2. PHYSICAL DIMENSION



All dimensions stated are in mm

Tolerance: $\pm 0.5\text{mm}$



FLEZON

Revision History

Revision	Date	Description
1.0	2006/06	First release

FLEZON CONFIDENTIAL