



Piezo Buzzer Specification

Series FZ-V78

Model Number: 7W3240LFLA

Version 1.0

Address: 28 Genting Lane, #08-07 Platinum 28, Singapore 349585

Tel: +65-6493 5035

Fax: +65-6493 5037

Website: <http://www.flezon.com>

Email: flezon@flezon.com

ALL RIGHTS ARE STRICTLY RESERVED. ANY PORTION OF THIS PAPER SHALL NOT BE REPRODUCED, COPIED, OR TRANSLATED TO ANY OTHER FORMS WITHOUT PERMISSION FROM FLEXXON GLOBAL LIMITED.

1. ELECTRICAL SPECIFICATIONS



Model No.: 7W3240FLA

Description: PZ BUZZER DUAL 24VDC L/W ABS RoHS
1) ADD 100mmLL " UL1007 , AWG26 "

<i>MODEL NO.</i>	<u>7W3240FLA</u>
<i>OPERATING VOLTAGE RANGE (VDC)</i>	3.0 ~ 28.0
<i>RATED VOLTAGE (VDC)</i>	24.0
* <i>MAX. RATED CURRENT (mA)</i>	30
* <i>MIN. SOUND OUTPUT (dBA/ 30cm)</i>	95 / 90
* <i>FREQUENCY (Hz)</i>	3200 ± 500
<i>TONE NATURE</i>	DUAL
<i>OPERATING TEMPERATURE (°C)</i>	- 40 ~ +85
<i>STORAGE TEMPERATURE (°C)</i>	- 40 ~ +85
<i>TERMINAL</i>	LEADWIRE
<i>HOUSING MATERIAL</i>	ABS
<i>WEIGHT (g)</i>	15.0

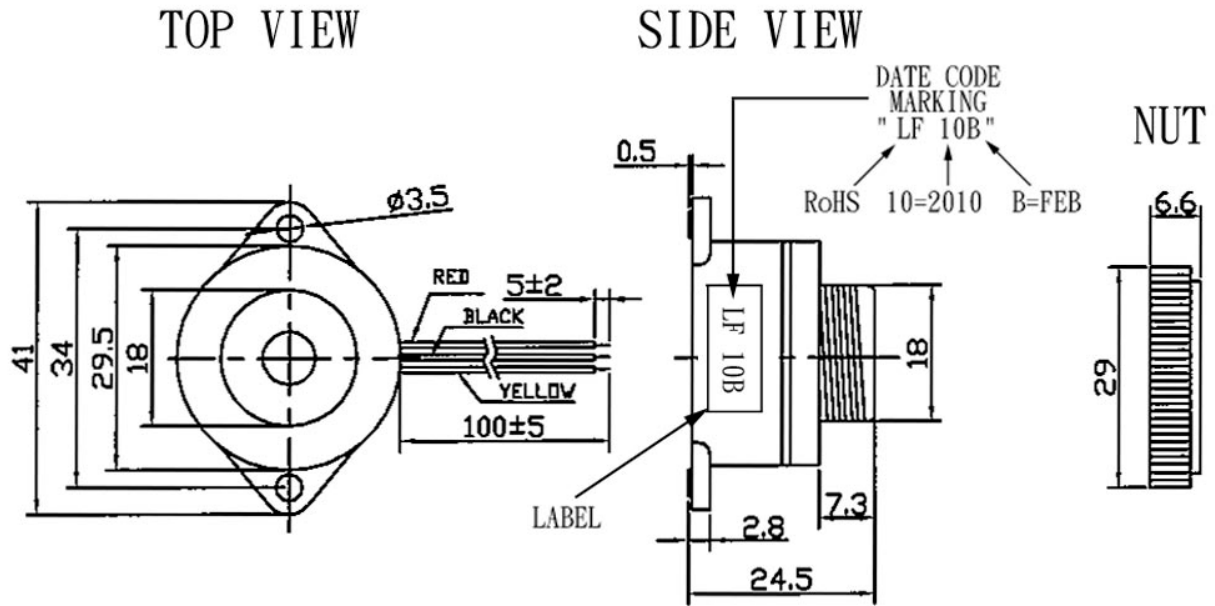
* Value applying at rated voltage

2. PHYSICAL DIMENSION



All dimensions stated are in mm

Tolerance: $\pm 0.5\text{mm}$



FLEZON.COM

Revision History

Revision	Date	Description
1.0	2006/04	First release

FLEZON CONFIDENTIAL