



# Self Drive Piezo Transducer Specification

## Series FZ-V878

Model Number: 87PA30370LFPH

Version 1.0

Address: 28 Genting Lane, #08-07 Platinum 28, Singapore 349585

Tel: +65-6493 5035

Fax: +65-6493 5037

Website: <http://www.flezon.com>

Email: [flezon@flezon.com](mailto:flezon@flezon.com)

## 1. ELECTRICAL SPECIFICATIONS



**Model No.:** 87PA30370LFPH

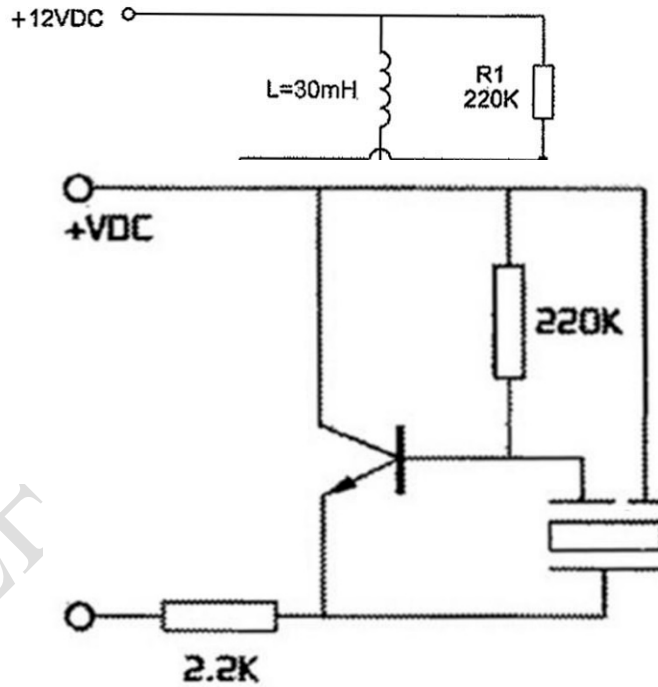
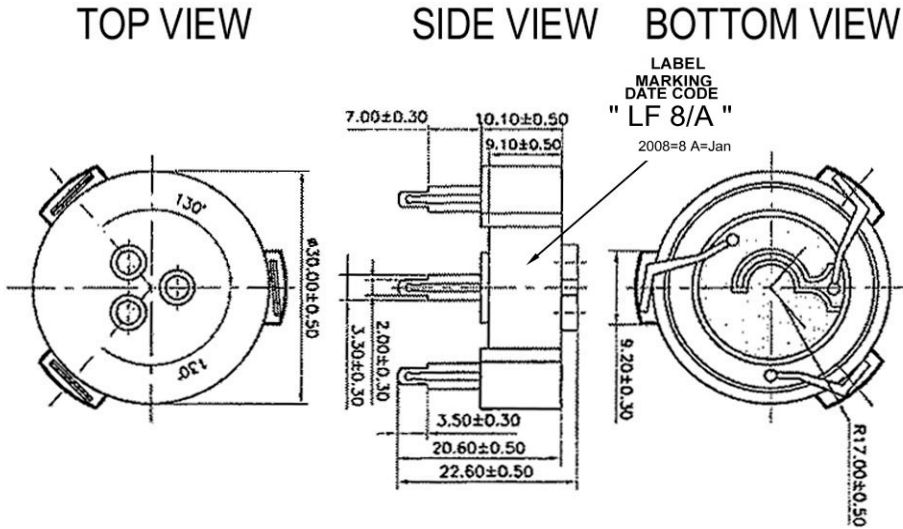
**Description:** PZ TRANSDUCER 12VDC PIN PBT RoHS

<b>MODEL NO.</b>	<b>87PA30370LFPH</b>
<i>OPERATING VOLTAGE</i> ( VDC )	3.0 ~ 18.0
<i>RATED VOLTAGE</i> ( VDC )	12.0
<i>MAX. RATED CURRENT</i> ( mA )	30.0
<i>MIN. SOUND OUTPUT</i> ( dBA / 100 cm )	85.0
<i>FREQUENCY</i> ( Hz )	3700 ± 500
<i>OPERATING TEMPERATURE</i> ( ° C )	-20 ~ +70
<i>TERMINAL</i>	PIN
<i>HOUSING MATERIAL</i>	PBT
<i>WEIGHT</i> ( g )	5.0

## 2. PHYSICAL DIMENSION



All dimensions stated are in mm



Reference Circuit

## Revision History

Revision	Date	Description
1.0	2008.01	First Released

FLEZON CONFIDENTIAL