



Piezo Buzzer Specification

Series FZ-V898

Model Number: 89H4120LFPH

Version 3.0

Address: 28 Genting Lane, #08-07 Platinum 28, Singapore 349585

Tel: +65-6493 5035

Fax: +65-6493 5037

Website: <http://www.flezon.com>

Email: flezon@flezon.com

ALL RIGHTS ARE STRICTLY RESERVED. ANY PORTION OF THIS PAPER SHALL NOT BE REPRODUCED, COPIED, OR TRANSLATED TO ANY OTHER FORMS WITHOUT PERMISSION FROM FLEXXON GLOBAL LIMITED.

1. ELECTRICAL SPECIFICATIONS

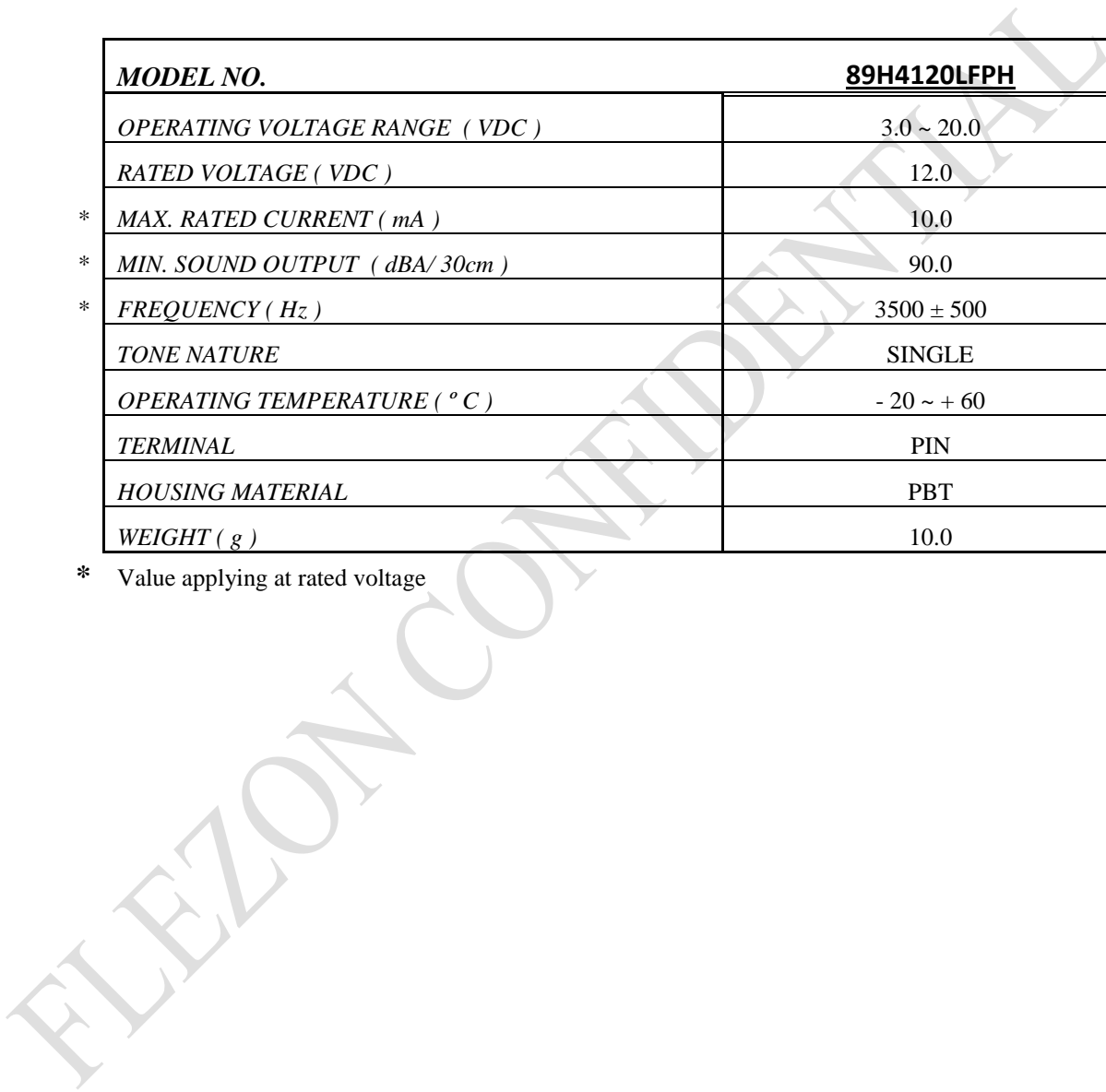


Model No.: 89H4120LFPH

Description: PZ BUZZER SINGLE 12VDC PIN PBT RoHS

<i>MODEL NO.</i>	<u>89H4120LFPH</u>
<i>OPERATING VOLTAGE RANGE (VDC)</i>	3.0 ~ 20.0
<i>RATED VOLTAGE (VDC)</i>	12.0
* <i>MAX. RATED CURRENT (mA)</i>	10.0
* <i>MIN. SOUND OUTPUT (dBA/ 30cm)</i>	90.0
* <i>FREQUENCY (Hz)</i>	3500 ± 500
<i>TONE NATURE</i>	SINGLE
<i>OPERATING TEMPERATURE (° C)</i>	- 20 ~ + 60
<i>TERMINAL</i>	PIN
<i>HOUSING MATERIAL</i>	PBT
<i>WEIGHT (g)</i>	10.0

* Value applying at rated voltage



2. PHYSICAL DIMENSION



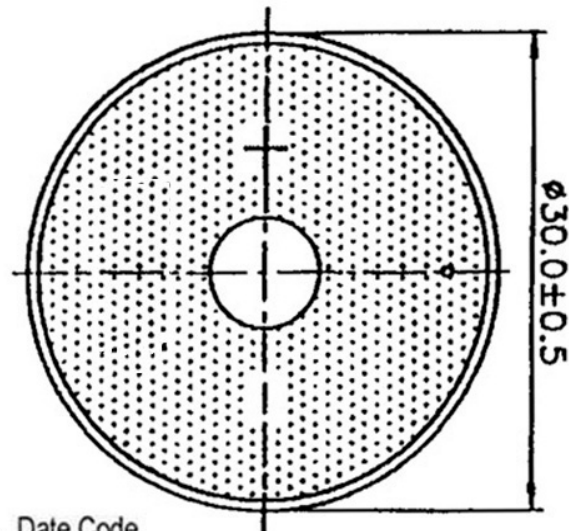
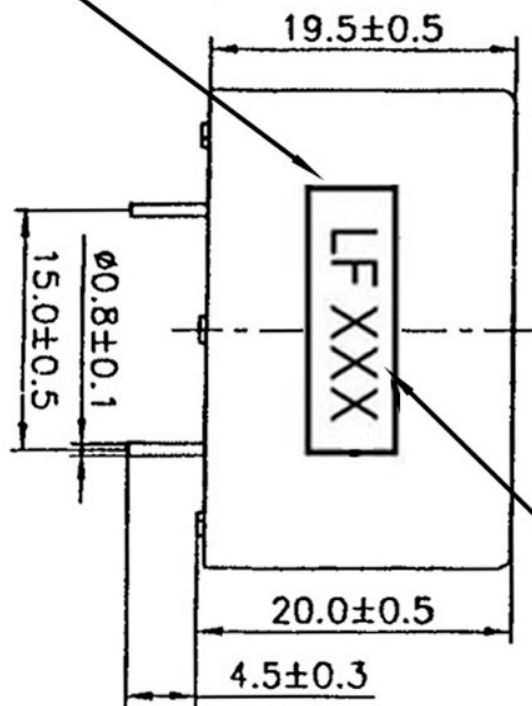
All dimensions stated are in mm

Tolerance: ± 0.5 mm

SIDE VIEW

TOP VIEW

Label Marking



Date Code Marking
" 11 G "

Year | Month
11 = 2011 G = Jul.

FLEZON

Revision History

Revision	Date	Description
1.0	2008/11	Modify the label marking
2.0	2011/07	Without " FZ" engrave marking

FLEZON CONFIDENTIAL