



MEMS Microphone Specification

Series EP6038

Model Number: EP6038TD423C3

Version 2.0

Address: 28 Genting Lane, #08-07 Platinum 28, Singapore 349585

Tel: +65-6493 5035

Fax: +65-6493 5037

Website: <http://www.flezon.com>

Email: flezon@flezon.com

1. ELECTRICAL SPECIFICATIONS



Model No.: EP6038TD423C3

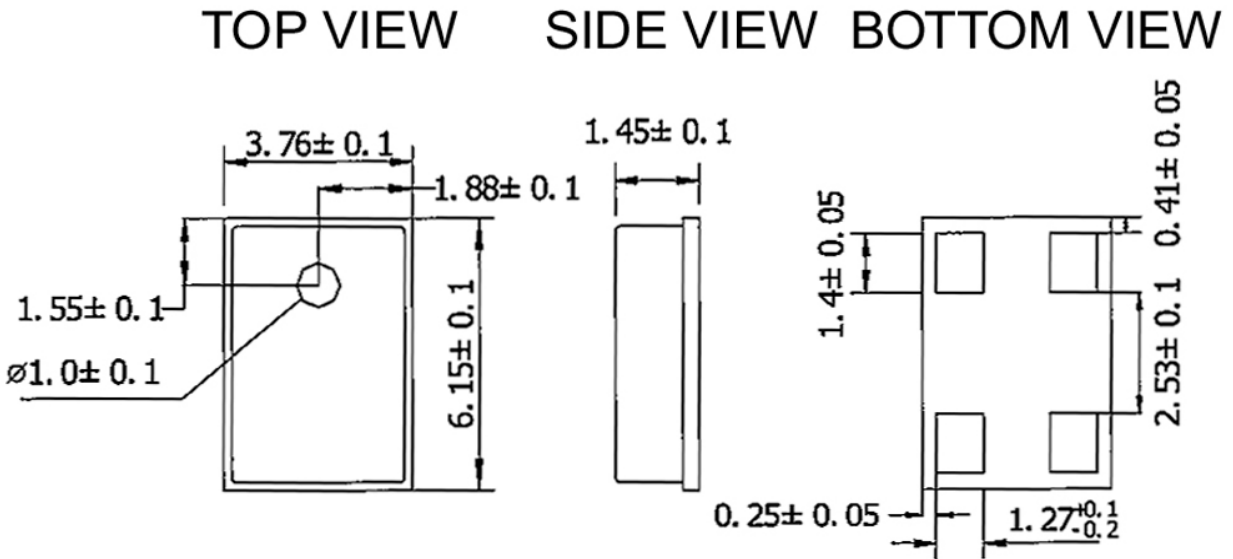
Description: MEMS OMN 6.15 X 3.76 2.2V < 100 R 42/3 SMD RoHS

MODEL NO.		EP6038TD423C3
DIAMETER (A) ± 0.1	mm	6.15 X 3.76
HEIGHT (B) ± 0.1	mm	1.45
SENSITIVITY (0 dB = 1V / Pa) AT 1K Hz	dB	- 42.0 \pm 3.0
DIRECTIVITY		OMNIDIRECTIONAL
POWER SUPPLY (Vs)	V	2.2
OUTPUT IMPEDANCE	Ω	< 100
OPERATING VOLTAGE RANGE	V	1.5 ~ 3.6
MAX. CURRENT	mA	0.2
VOLTAGE DEDUCTION CHARACTERISTIC		WITHIN 3.0 dB AT 2.0 V
TERMINAL		SMD
HOUSING MATERIAL		NI PLATED COPPER
S / N RATIO (SPL=Pa, 1KHz, A - Weighting)	dB	MORE THAN 58.0
MAX INPUT SOUND LEVEL		AT 110 dB SPL, THD < 5.0 %
FREQUENCY RANGE	Hz	100 ~ 16000

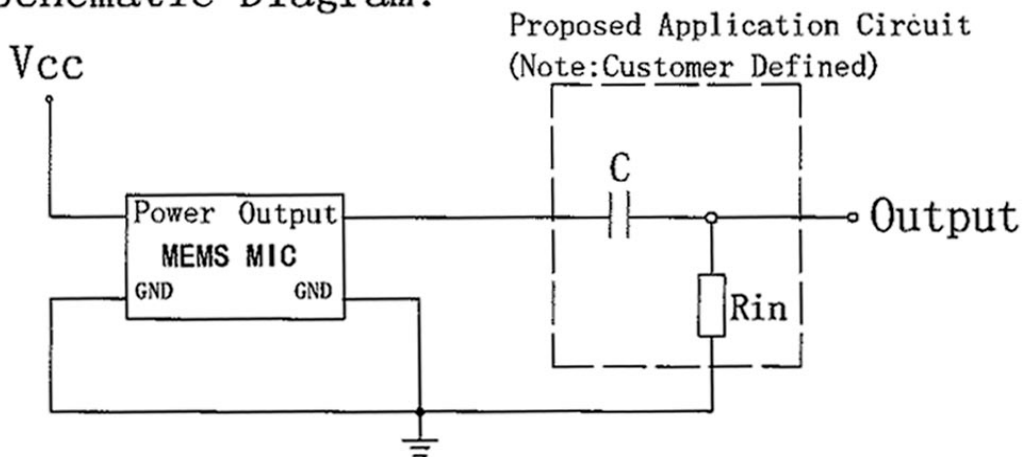
2. PHYSICAL DIMENSION



All dimensions stated are in mm



Schematic Diagram:



The MEMS Microphone inner 10 pF Cap.

Revision History

Revision	Date	Description
1.0	2009.01	First Released
2.0	2010.04	Modify Electrical Specs.

FLEZON CONFIDENTIAL