



Magnetic Transducer Specification

Series EWT102

Model Number: EWT1023ALFMP

Version 1.0

Address: 28 Genting Lane, #08-07 Platinum 28, Singapore 349585

Tel: +65-6493 5035

Fax: +65-6493 5037

Website: <http://www.flezon.com>

Email: flezon@flezon.com

1. ELECTRICAL SPECIFICATIONS



Model No.: EWT1023ALFMP

Description: MT TRANSDUCER 3.6V SMD LCP 2670Hz RoHS

<i>MODEL NO.</i>	<u>EWT1023ALFMP</u>
<i>OPERATING VOLTAGE RANGE (V)</i>	2.0 ~ 5.0
<i>RATED VOLTAGE (V)</i>	3.6
+ <i>MAX. RATED CURRENT (mA)</i>	100.0
<i>COIL RESISTANCE (Ω)</i>	16.0 ± 2.4
+ <i>MIN. SOUND OUTPUT at 10cm (dBA)</i>	88.0
<i>RESONANT FREQUENCY (Hz)</i>	2670
<i>OPERATING TEMPERATURE (°C)</i>	- 30 ~ + 70
<i>TERMINAL</i>	SMD
<i>HOUSING MATERIAL</i>	LCP
<i>WEIGHT (g)</i>	0.38

+ Value applying rated voltage resonant frequency, 1/2 duty, square wave

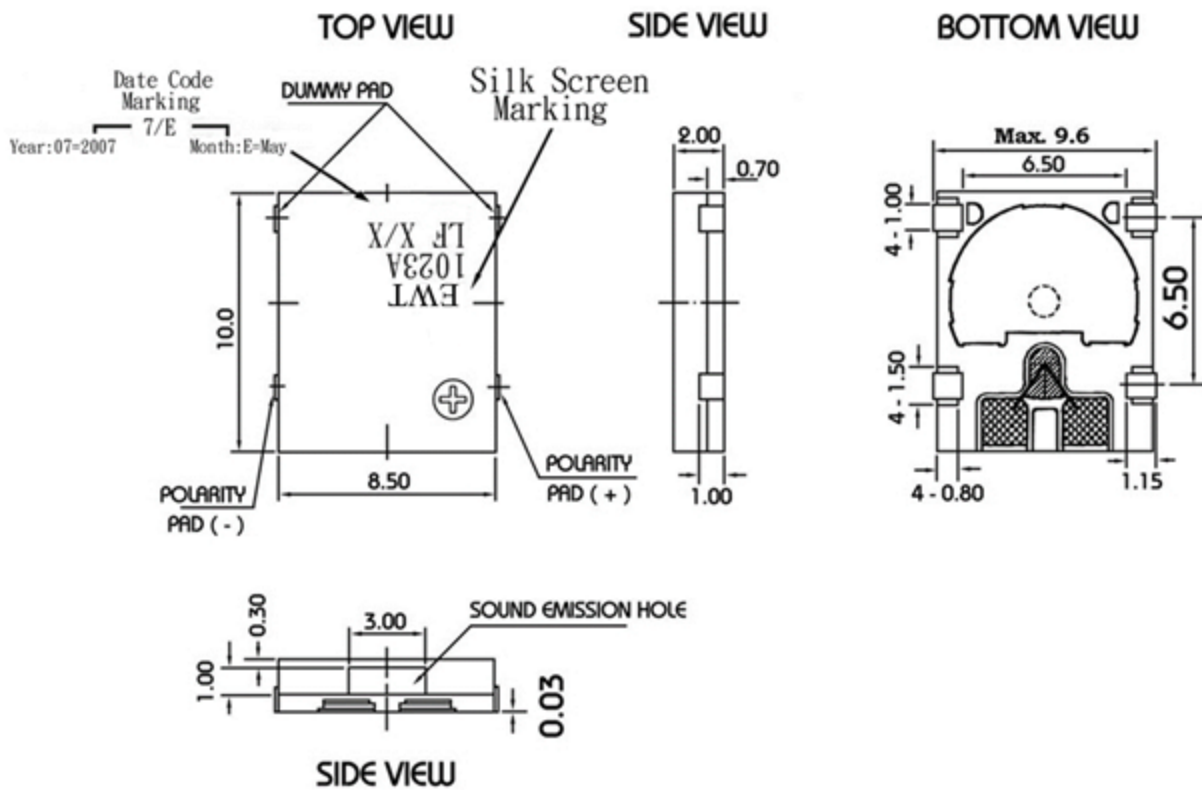
* Value applying resonant frequency, 1/2 duty, square wave, measuring current 60uA

2. PHYSICAL DIMENSION



All dimensions stated are in mm

Tolerance: ± 0.2 mm



FLEZON

Revision History

Revision	Date	Description
1.0	2007/08	First release

FLEZON CONFIDENTIAL