



Mechanical Buzzer Specification

Series FCB

Model Number: FCB26S19S12XPRN

Version 1.0

Address: 28 Genting Lane, #08-07 Platinum 28, Singapore 349585

Tel: +65-6493 5035

Fax: +65-6493 5037

Website: <http://www.flezon.com>

Email: flezon@flezon.com

1. ELECTRICAL SPECIFICATIONS



Model No.: FCB26S19S12XPRN

Description: MC BUZZER SINGLE 12VDC PIN NORYL SP RoHS (BLACK)

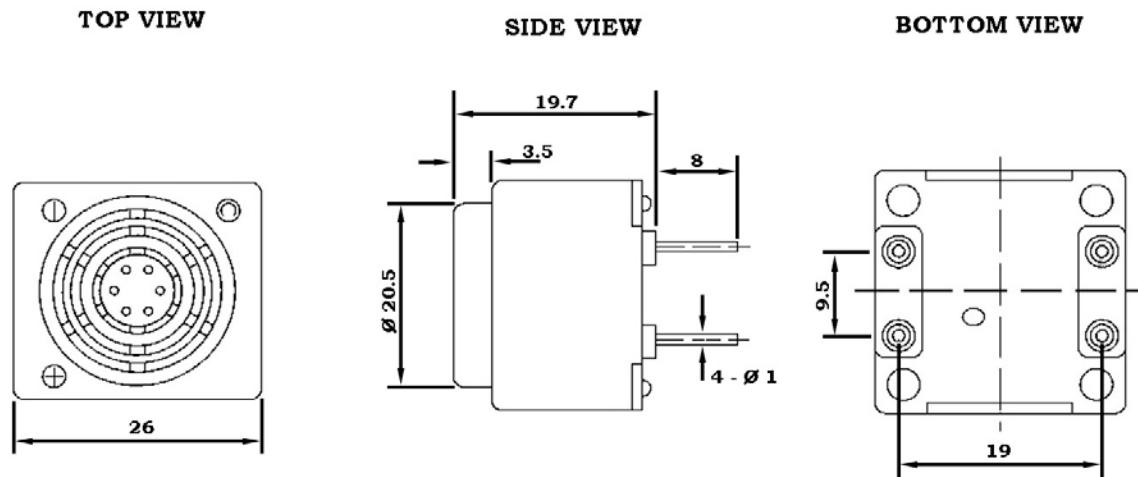
<i>MODEL NO.</i>	<u>FCB26S19S12XPRN</u>
<i>OPERATING VOLTAGE RANGE</i> (VDC)	7.0 ~ 16.0
<i>RATED VOLTAGE</i> (VDC)	12.0
* <i>MAX. RATED CURRENT</i> (mA)	50.0
* <i>MIN. SOUND OUTPUT</i> (dBA/ 10 cm)	95.0
* <i>FREQUENCY</i> (Hz)	400 ± 100
<i>TONE NATURE</i>	SINGLE
<i>OPERATING TEMPERATURE</i> (° C)	-40 ~ +70
<i>TERMINAL</i>	PIN
<i>HOUSING MATERIAL</i>	NORYL
<i>WEIGHT</i> (g)	17.0

* Value applying at rated voltage

2. PHYSICAL DIMENSION



All dimensions stated are in mm



FLEZON.COM

Revision History

Revision	Date	Description
1.0	2008.09	First Released

FLEZON CONFIDENTIAL