



# Symmetric Ultrasonic Sensor Specification

## Series FHDS14A

Model Number: FHDS14A09LFPM

Version 1.0

Address: 28 Genting Lane, #08-07 Platinum 28, Singapore 349585

Tel: +65-6493 5035

Fax: +65-6493 5037

Website: <http://www.flezon.com>

Email: [flezon@flezon.com](mailto:flezon@flezon.com)

# 1. ELECTRICAL SPECIFICATIONS



**Model No.:** FHDS14A09LFPM

**Description:** SUS 14.4D 9H 10V PIN ALUMINIUM RoHS

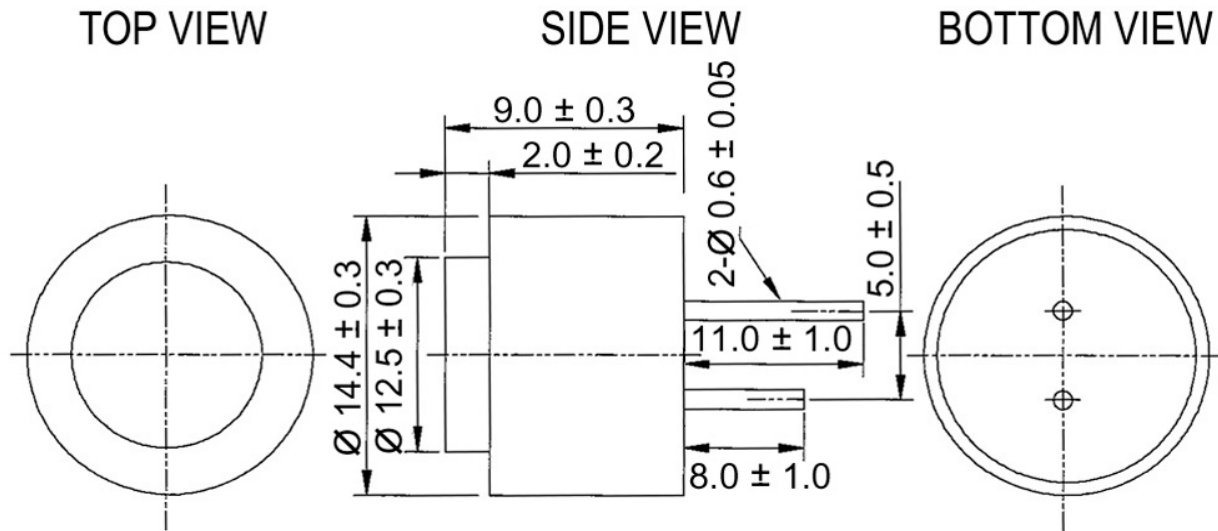
<b>MODEL NO.</b>	<b>FHDS14A09LFPM</b>	
<i>CONSTRUCTION</i>	WATERPROOF TYPE	
<i>FUNCTION</i>	TRANSMITTER & RECEIVER	
<i>DIAMETER ( A ) ± 0.3</i>	mm	Ø 14.4
<i>HEIGHT ( B ) ± 0.3</i>	mm	9.0
<i>SOUND PRESSURE LEVEL</i> ( 0dB = 0.0002 ubar )	Min. 95.0 dB ( 10.0 V rms Sine Wave / 30.0 cm )	
<i>SENSITIVITY</i>	Min. - 82.0 dB ( v / ubar )	
<i>CENTER FREQUENCY</i>	Hz	40000 ± 1000 Hz
<i>Directivity ( deg ) X - axis</i>	70.0 ± 15.0	
<i>CAPACITANCE AT 1KHz</i>	pF	1800 ± 15 %
<i>ALLOWABLE INPUT VOLTAGE</i>	p-p	140V ( 40 KHz ) Pulse width 0.5 ms / Interval 20 ms
<i>HOUSING MATERIAL</i>	ALUMINUM	
<i>OPERATING TEMPERATURE</i>	°C	- 40.0 ~ + 80.0
<i>WEIGHT</i>	3.0 g	

## 2. PHYSICAL DIMENSION



All dimensions stated are in mm

Tolerance:  $\pm 0.5\text{mm}$



FLEZON CO.

## Revision History

Revision	Date	Description
1.0	2011.01	First Released

FLEZON CONFIDENTIAL