



Open Structure Ultrasonic Sensor Specification

Series FOU

Model Number: FOU16C12N01KPMN

Version 1.0

Address: 28 Genting Lane, #08-07 Platinum 28, Singapore 349585

Tel: +65-6493 5035

Fax: +65-6493 5037

Website: <http://www.flezon.com>

Email: flezon@flezon.com

1. ELECTRICAL SPECIFICATIONS



Model No.: FOU16C12N01KPMN

Description: OSUS 16D 12.2H 10V PIN ALUMINIUM RoHS

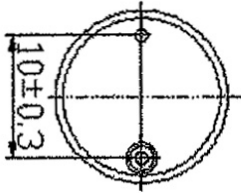
<i>MODEL NO.</i>	FOU16C12N01KPMN	
<i>FUNCTION</i>	TRANSMITTER	
<i>CENTER FREQUENCY</i>	Hz	40000 ± 1000
<i>DIAMETER (A) ± 0.3</i>	mm	Ø 16.0
<i>HEIGHT (B) ± 0.3</i>	mm	12.2
<i>BANDWIDTH (dB)</i>	2.0 K Hz	
<i>SOUND PRESSURE LEVEL (0dB = 0.0002 ubar)</i>	Min. 118.0 dB (AT 40.0 K Hz / 10V rms Sine Wave / 30.0 cm)	
<i>CAPACITANCE AT 1KHz</i>	pF	2100 ± 20 %
<i>MAX. DRIVING VOLTAGE (cont.)</i>	20.0 V Rms	
<i>BEAM ANGLE -6 dB</i>	80.0 ° TYPICAL	
<i>HOUSING MATERIAL</i>	ALUMINUM	
<i>OPERATING TEMPERATURE</i>	° C	-20.0 ~ +70.0
<i>WEIGHT</i>	3.0 g	

2. PHYSICAL DIMENSION

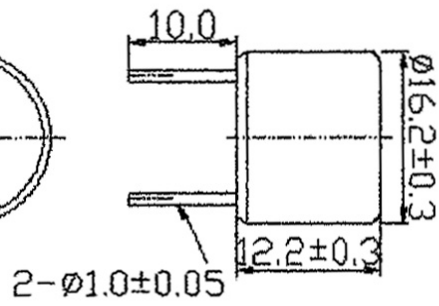


All dimensions stated are in mm

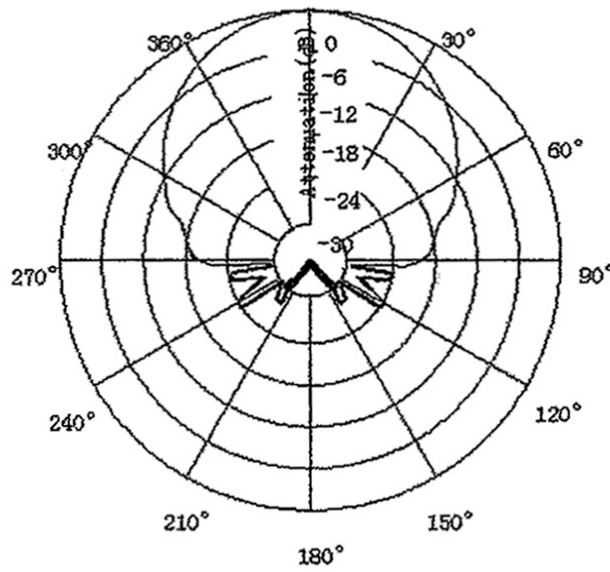
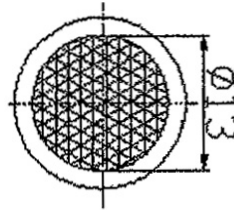
BOTTOM VIEW



SIDE VIEW



TOP VIEW



FLEZON

FLEZON

Revision History

Revision	Date	Description
1.0	2008.12	Modify Electrical Spec

FLEZON CONFIDENTIAL