



Magnetic Transducer Specification

Series FZ

Model Number: FZ06LFPN

Version 4.0

Address: 28 Genting Lane, #08-07 Platinum 28, Singapore 349585

Tel: +65-6493 5035

Fax: +65-6493 5037

Website: <http://www.flezon.com>

Email: flezon@flezon.com

1. ELECTRICAL SPECIFICATIONS



Model No.: FZ06LFPN

Description: MT TRANSDUCER 6V PIN NORYL RoHS COMPLIANT

<i>MODEL NO.</i>	FZ06LFPN
<i>OPERATING VOLTAGE RANGE (V)</i>	3.0 ~ 8.0
<i>RATED VOLTAGE (V)</i>	6
+ <i>MAX. RATED CURRENT (mA)</i>	45
<i>COIL RESISTANCE (Ω)</i>	50 \pm 6
+ <i>MIN. SOUND OUTPUT at 10cm (dBA)</i>	85
<i>RESONANT FREQUENCY (Hz)</i>	2048
<i>OPERATING TEMPERATURE ($^{\circ}$ C)</i>	- 30.0 ~ + 70.0
<i>STORAGE TEMPERATURE ($^{\circ}$ C)</i>	- 40.0 ~ + 80.0
<i>TERMINAL</i>	PIN
<i>HOUSING MATERIAL</i>	NORYL
<i>WEIGHT (g)</i>	7

+ Value applying rated voltage resonant frequency, 1/2 duty, square wave

* Value applying resonant frequency, 1/2 duty, square wave, measuring current 60uA

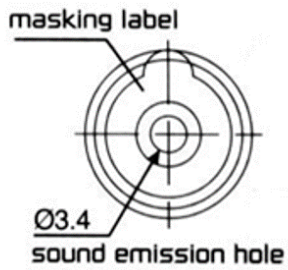
2. PHYSICAL DIMENSION



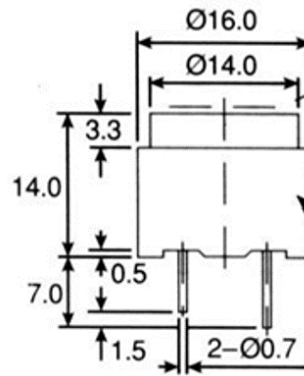
All dimensions stated are in mm

Tolerance: $\pm 0.2\text{mm}$

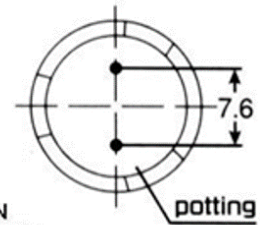
TOP VIEW



SIDE VIEW



BOTTOM VIEW



SILK SCREEN
" FZ6LF-PN "
 $\text{Ø}100$
2010=10 D=Apr

FLEZON.COM

Revision History

Revision	Date	Description
1.0		First release
2.0	2006/11	Add date code
3.0	2010/07	change MAX. rated current
4.0	2010/08	Add Storage Temperature

FLEZON CONFIDENTIAL