



Magnetic Transducer Specification

Series FZ105

Model Number: FZ105FLFPN

Version 1.0

Address: 28 Genting Lane, #08-07 Platinum 28, Singapore 349585

Tel: +65-6493 5035

Fax: +65-6493 5037

Website: <http://www.flezon.com>

Email: flezon@flezon.com

1. ELECTRICAL SPECIFICATIONS



Model No.: FZ105FLFPN

Description: MT TRANSDUCER 1.5V PIN NORYL RoHS

<i>MODEL NO.</i>	<u>FZ105FLFPN</u>
<i>OPERATING VOLTAGE RANGE (V)</i>	1.0 ~ 4.0
<i>RATED VOLTAGE (V)</i>	1.5
+ <i>MAX. RATED CURRENT (mA)</i>	12.0
<i>COIL RESISTANCE (Ω)</i>	50.0 \pm 7.5
<i>COIL IMPEDANCE (Ω)</i>	140
+ <i>MIN. SOUND OUTPUT at 10cm (dBA)</i>	70.0
<i>RESONANT FREQUENCY (Hz)</i>	2048
<i>OPERATING TEMPERATURE ($^{\circ}$C)</i>	-20 ~ +60
<i>TERMINAL</i>	PIN
<i>HOUSING MATERIAL</i>	NORYL
<i>WEIGHT (g)</i>	2.0

+ Value applying rated voltage resonant frequency, 1/2 duty, square wave

* Value applying resonant frequency, 1/2 duty, square wave, measuring current 60uA

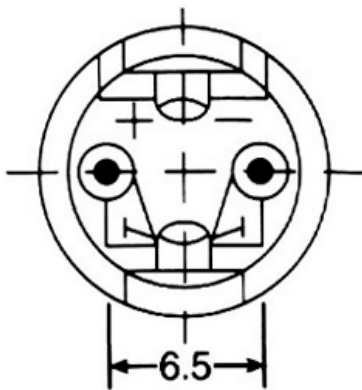
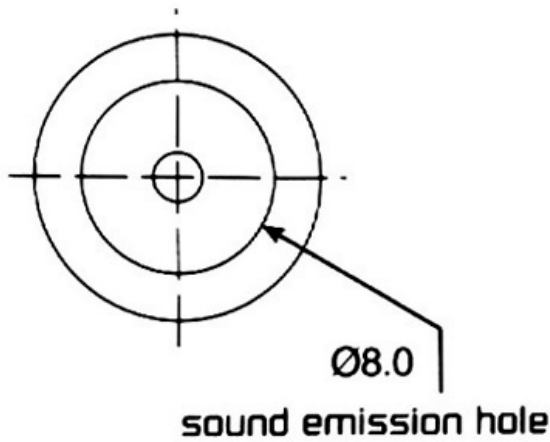
2. PHYSICAL DIMENSION



All dimensions stated are in mm

Tolerance: $\pm 0.2\text{mm}$

TOP VIEW



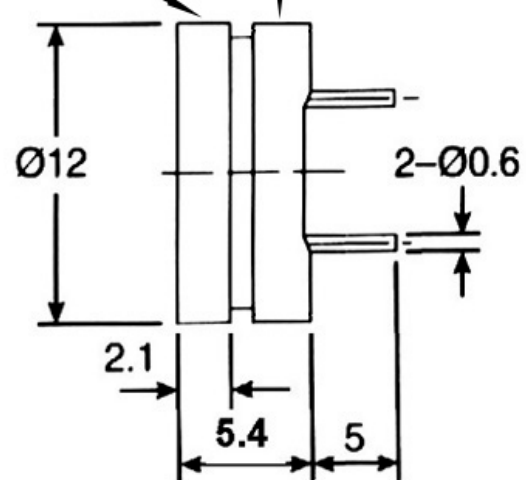
BOTTOM VIEW

SIDE VIEW

Silk Screen Marking (Color : Silver)

" LFX / X "

" ⊕ "



Date Code
Marking

" 5 / E "

Year : 5 = 2005 Month : E = May

Revision History

Revision	Date	Description
1.0	2011/12	First release

FLEZON CONFIDENTIAL