



Magnetic Transducer Specification

Series FZ109

Model Number: FZ109LFPN

Version 1.0

Address: 28 Genting Lane, #08-07 Platinum 28, Singapore 349585

Tel: +65-6493 5035

Fax: +65-6493 5037

Website: <http://www.flezon.com>

Email: flezon@flezon.com

1. ELECTRICAL SPECIFICATIONS



Model No.: FZ109LFPN

Description: MT TRANSDUCER 3V PIN NORYL RoHS

<i>MODEL NO.</i>	<u>FZ109LFPN</u>
<i>OPERATING VOLTAGE RANGE (V)</i>	2.0 ~ 5.0
<i>RATED VOLTAGE (V)</i>	3.0
+ <i>MAX. RATED CURRENT (mA)</i>	70
<i>COIL RESISTANCE (Ω)</i>	20 \pm 3
* <i>COIL IMPEDANCE (Ω)</i>	28
+ <i>MIN. SOUND OUTPUT at 10cm (dBA)</i>	82
<i>RESONANT FREQUENCY (Hz)</i>	2731
<i>OPERATING TEMPERATURE ($^{\circ}$C)</i>	- 20 ~ + 70
<i>TERMINAL</i>	PIN
<i>HOUSING MATERIAL</i>	NORYL
<i>WEIGHT (g)</i>	0.6

+ Value applying rated voltage resonant frequency, 1/2 duty, square wave

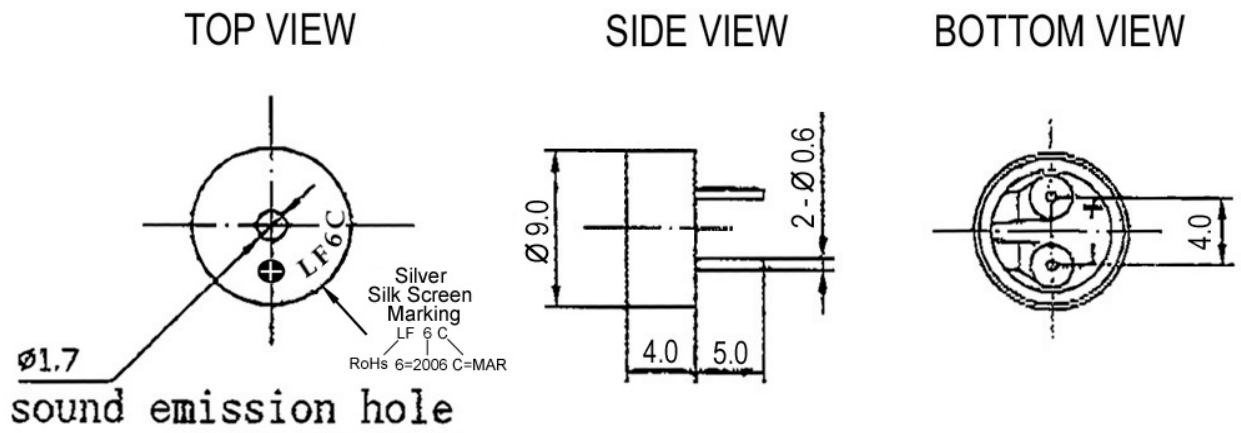
* Value applying resonant frequency, 1/2 duty, square wave, measuring current 60uA

2. PHYSICAL DIMENSION



All dimensions stated are in mm

Tolerance: $\pm 0.2\text{mm}$



FLEZON CONFIDENTIAL

Revision History

Revision	Date	Description
1.0	2006/04	First release

FLEZON CONFIDENTIAL