



# Magnetic Transducer Specification

## Series FZ

Model Number: FZ12LFPN

Version 1.0

Address: 28 Genting Lane, #08-07 Platinum 28, Singapore 349585

Tel: +65-6493 5035

Fax: +65-6493 5037

Website: <http://www.flezon.com>

Email: [flezon@flezon.com](mailto:flezon@flezon.com)

# 1. ELECTRICAL SPECIFICATIONS



**Model No.:** FZ12LFPN

**Description:** MT TRANSDUCER 12V PIN NORYL SP RoHS

<i>MODEL NO.</i>	<b><u>FZ12LFPN</u></b>
<i>OPERATING VOLTAGE RANGE ( V )</i>	6.0 ~ 18.0
<i>RATED VOLTAGE ( V )</i>	12.0
+ <i>MAX. RATED CURRENT ( mA )</i>	40.0
<i>COIL RESISTANCE ( <math>\Omega</math> )</i>	115 $\pm$ 12
+ <i>MIN. SOUND OUTPUT at 10cm ( dBA )</i>	85.0
<i>RESONANT FREQUENCY ( Hz )</i>	2048
<i>OPERATING TEMPERATURE ( <math>^{\circ}</math>C )</i>	- 25 ~ + 70
<i>TERMINAL</i>	PIN
<i>HOUSING MATERIAL</i>	NORYL
<i>WEIGHT ( g )</i>	7.0

+ Value applying rated voltage resonant frequency, 1/2 duty , square wave

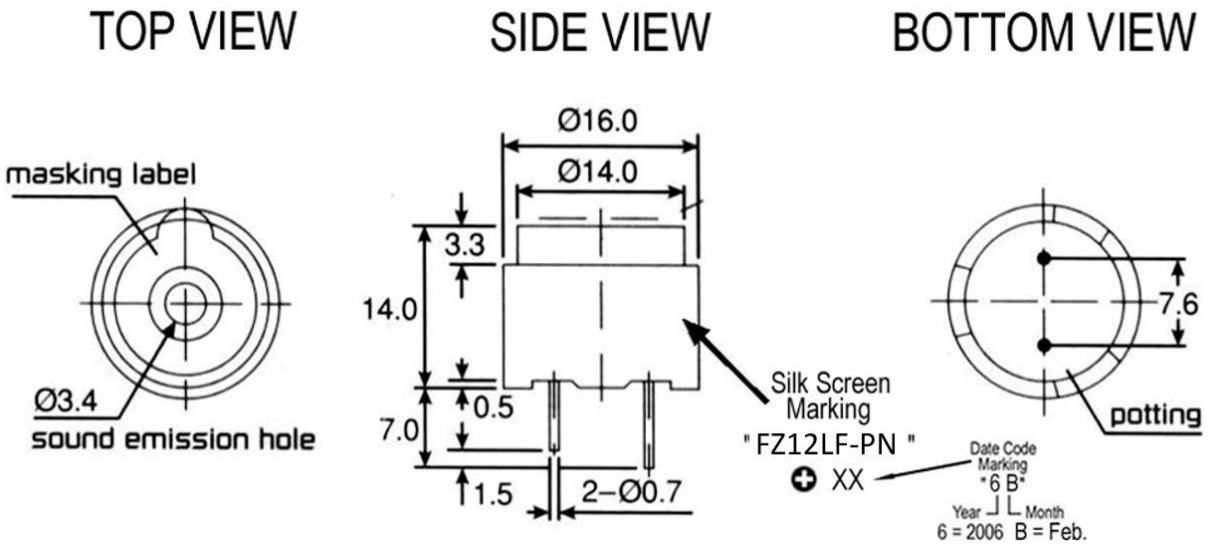
\* Value applying resonant frequency, 1/2 duty , square wave ,measuring current 60uA

## 2. PHYSICAL DIMENSION



All dimensions stated are in mm

Tolerance:  $\pm 0.2$ mm



FLEZON.COM

## Revision History

Revision	Date	Description
1.0	2006/02	First release

FLEZON CONFIDENTIAL