



# Magnetic Transducer Specification

## Series GWX

Model Number: GWX06LFPN

Version 1.0

Address: 28 Genting Lane, #08-07 Platinum 28, Singapore 349585

Tel: +65-6493 5035

Fax: +65-6493 5037

Website: <http://www.flezon.com>

Email: [flezon@flezon.com](mailto:flezon@flezon.com)

# 1. ELECTRICAL SPECIFICATIONS



**Model No.:** GWX06LFPN

**Description:** MT TRANSDUCER 5V PIN NORYL  
1) LEAD FREE MATERIAL ( RoHS )

<i>MODEL NO.</i>	<u>GWX06LFPN</u>
<i>OPERATING VOLTAGE RANGE ( V )</i>	3.0 ~ 5.0
<i>RATED VOLTAGE ( V )</i>	5
+ <i>MAX. RATED CURRENT ( mA )</i>	80
<i>COIL RESISTANCE ( <math>\Omega</math> )</i>	27 $\pm$ 4
* <i>COIL IMPEDANCE ( <math>\Omega</math> )</i>	38
+ <i>MIN. SOUND OUTPUT at 10cm ( dBA )</i>	85.0
<i>RESONANT FREQUENCY ( Hz )</i>	730
<i>OPERATING TEMPERATURE ( <math>^{\circ}</math> C )</i>	- 40 ~ + 85
<i>TERMINAL</i>	PIN
<i>HOUSING MATERIAL</i>	NORYL
<i>WEIGHT ( g )</i>	10.0

+ Value applying rated voltage resonant frequency,1/2 duty , square wave

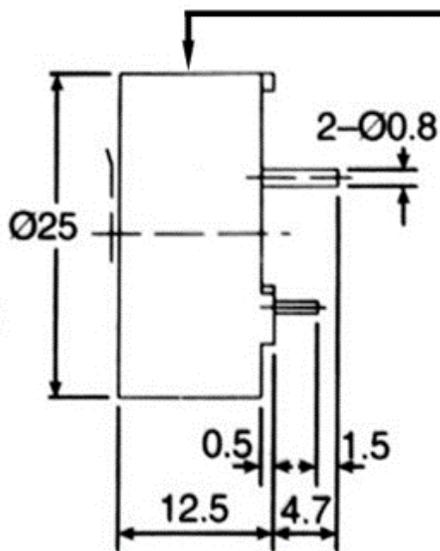
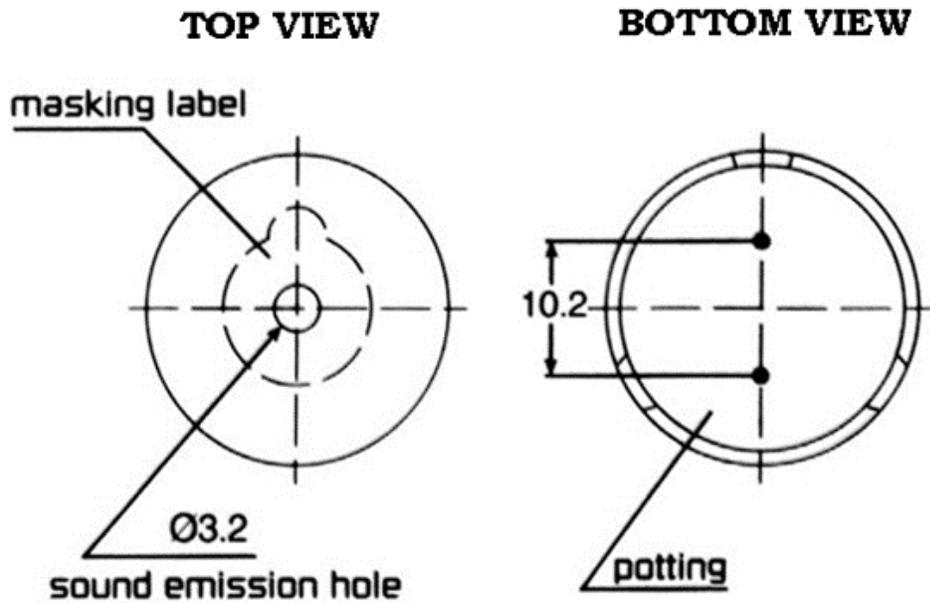
\* Value applying resonant frequency,1/2 duty , square wave ,measuring current 60uA

## 2. PHYSICAL DIMENSION



All dimensions stated are in mm

Tolerance:  $\pm 0.2\text{mm}$



**SIDE VIEW**

**Silk Screen Marking**

" GWX06LFPN "

⊕ LF 5 A

Lead Free Material (RoHS)

2005 Jan

## Revision History

Revision	Date	Description
1.0	2005/08	First release

FLEZON CONFIDENTIAL