



Magnetic Transducer Specification

Series HPDX

Model Number: HPDX12LFRMP

Version 1.0

Address: 28 Genting Lane, #08-07 Platinum 28, Singapore 349585

Tel: +65-6493 5035

Fax: +65-6493 5037

Website: <http://www.flezon.com>

Email: flezon@flezon.com

1. ELECTRICAL SPECIFICATIONS



Model No.: HPDX12LFRMP

Description: MT TRANSDUCER 12V SMD PPS RoHS SP
1) KAPTON LABEL 2) TAPE & REEL PACKING
3) GOLD PLATING

<i>MODEL NO.</i>	HPDX12LFRMP
<i>OPERATING VOLTAGE RANGE (V)</i>	8.0 ~ 16.0
<i>RATED VOLTAGE (V)</i>	12
+ <i>MAX. RATED CURRENT (mA)</i>	40.0
<i>COIL RESISTANCE (Ω)</i>	140 ± 14
+ <i>MIN. SOUND OUTPUT at 10cm (dBA)</i>	85.0
<i>RESONANT FREQUENCY (Hz)</i>	2400
<i>OPERATING TEMPERATURE (° C)</i>	- 30.0 ~ + 70.0
<i>STORAGE TEMPERATURE (° C)</i>	- 40.0 ~ + 85.0
<i>TERMINAL</i>	SMD
<i>HOUSING MATERIAL</i>	PPS
<i>WEIGHT (g)</i>	2.0

+ Value applying rated voltage resonant frequency, 1/2 duty, square wave

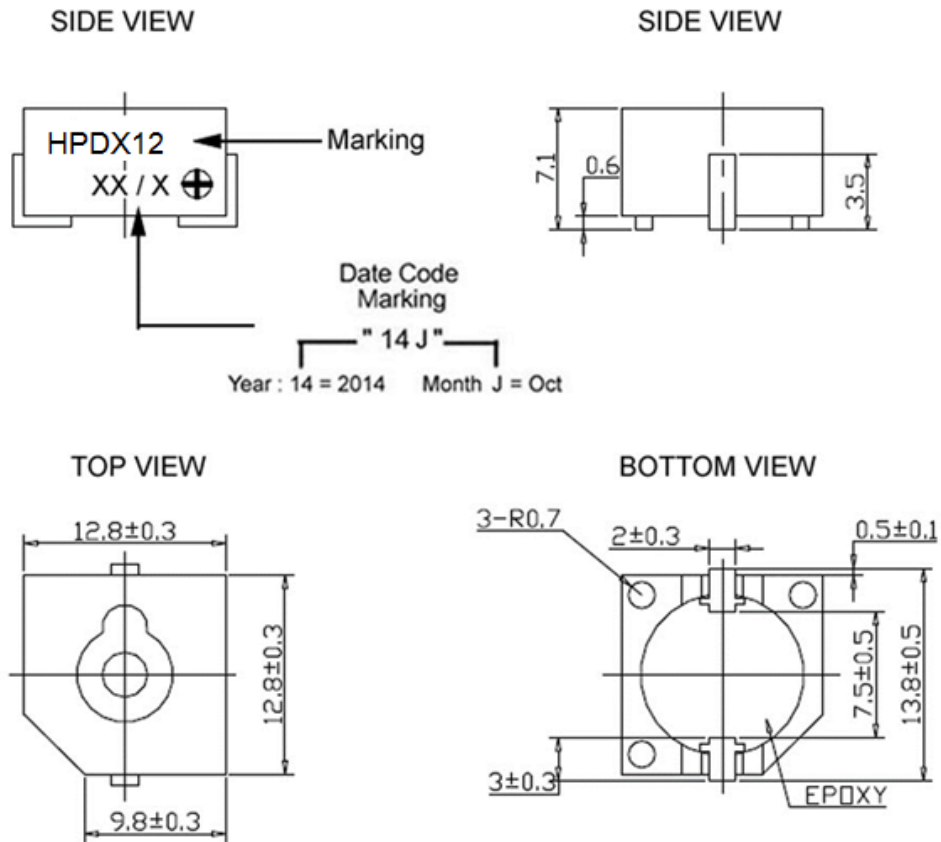
* Value applying resonant frequency, 1/2 duty, square wave, measuring current 60uA

2. PHYSICAL DIMENSION



All dimensions stated are in mm

Tolerance: $\pm 0.2\text{mm}$



FLEZON

VAL

Revision History

Revision	Date	Description
1.0	2005/10	First release

FLEZON CONFIDENTIAL