



# Piezo Buzzer Specification

## Series HU11

Model Number: HU11H32200LFPA

Version 1.0

Address: 28 Genting Lane, #08-07 Platinum 28, Singapore 349585

Tel: +65-6493 5035

Fax: +65-6493 5037

Website: <http://www.flezon.com>

Email: [flezon@flezon.com](mailto:flezon@flezon.com)

ALL RIGHTS ARE STRICTLY RESERVED. ANY PORTION OF THIS PAPER SHALL NOT BE REPRODUCED, COPIED, OR TRANSLATED TO ANY OTHER FORMS WITHOUT PERMISSION FROM FLEZON GLOBAL LIMITED.

# 1. ELECTRICAL SPECIFICATIONS



Model No.: HU11H32200LFPA

Description: PZ BUZZER SINGLE 220VAC PIN ABS RoHS

<i>MODEL NO.</i>	<u>HU11H32200LFPA</u>
<i>OPERATING VOLTAGE RANGE ( VDC )</i>	30.0 ~ 264.0
<i>RATED VOLTAGE ( VDC )</i>	220.0
* <i>MAX. RATED CURRENT ( mA )</i>	5.0
* <i>MIN. SOUND OUTPUT ( dBA/ 30cm )</i>	80.0
* <i>FREQUENCY ( Hz )</i>	3300 ± 500
<i>TONE NATURE</i>	SINGLE
<i>OPERATING TEMPERATURE ( ° C )</i>	- 20 ~ + 60
<i>TERMINAL</i>	PIN
<i>HOUSING MATERIAL</i>	ABS - 777D
<i>WEIGHT ( g )</i>	8.0

\* Value applying at rated voltage

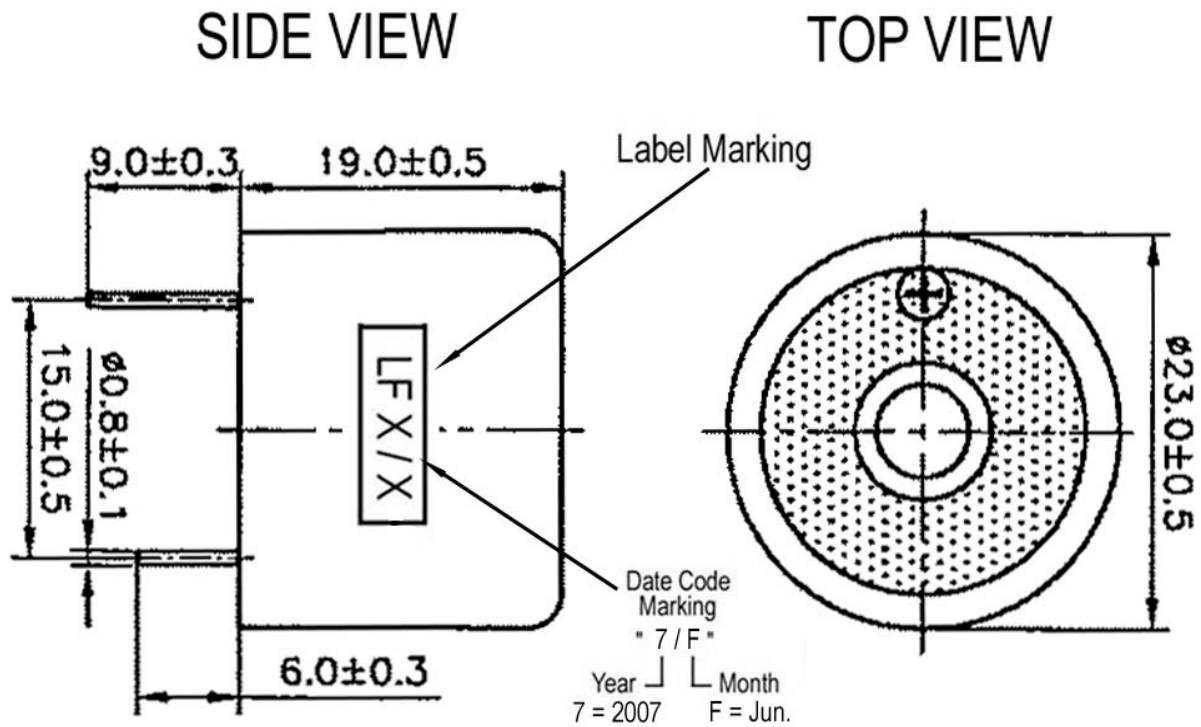
FLEZON CONFIDENTIAL

## 2. PHYSICAL DIMENSION



All dimensions stated are in mm

Tolerance:  $\pm 0.5\text{mm}$



FLEZON

## Revision History

Revision	Date	Description
1.0	2006/06	First release

FLEZON CONFIDENTIAL