



# Magnetic Transducer Specification

## Series HWBX

Model Number: HWBX05LFMP

Version 1.0

Address: 28 Genting Lane, #08-07 Platinum 28, Singapore 349585

Tel: +65-6493 5035

Fax: +65-6493 5037

Website: <http://www.flezon.com>

Email: [flezon@flezon.com](mailto:flezon@flezon.com)

# 1. ELECTRICAL SPECIFICATIONS



**Model No.:** HWBX05LFMP

**Description:** MT TRANSDUCER 5V SMD PPS SP 1 ) KAPTON LABEL  
2 ) TUBE PACKING 3 ) RoHS

<i>MODEL NO.</i>	<u>HWBX05LFMP</u>
<i>OPERATING VOLTAGE RANGE ( V )</i>	4.0 ~ 8.0
<i>RATED VOLTAGE ( V )</i>	5.0
+ <i>MAX. RATED CURRENT ( mA )</i>	40.0
<i>COIL RESISTANCE ( Ω )</i>	47.0 ± 5.0
+ <i>MIN. SOUND OUTPUT at 10cm ( dBA )</i>	85.0
<i>RESONANT FREQUENCY ( Hz )</i>	2400
<i>OPERATING TEMPERATURE ( °C )</i>	- 40 ~ + 85
<i>TERMINAL</i>	SMD
<i>HOUSING MATERIAL</i>	PPS
<i>WEIGHT ( g )</i>	2.0

+ Value applying rated voltage resonant frequency, 1/2 duty, square wave

\* Value applying resonant frequency, 1/2 duty, square wave, measuring current 60uA

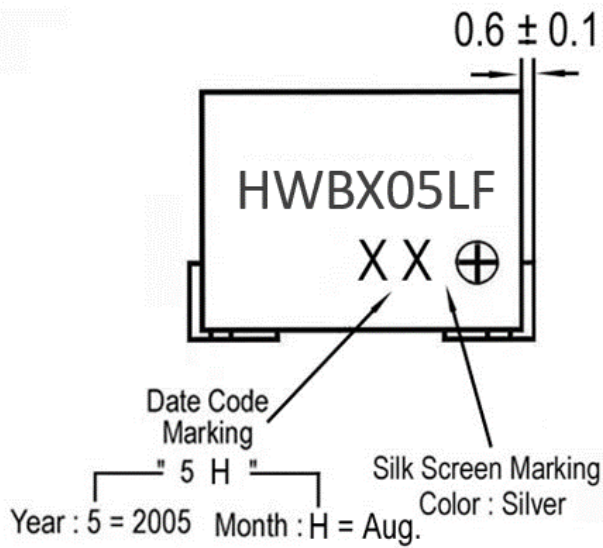
## 2. PHYSICAL DIMENSION



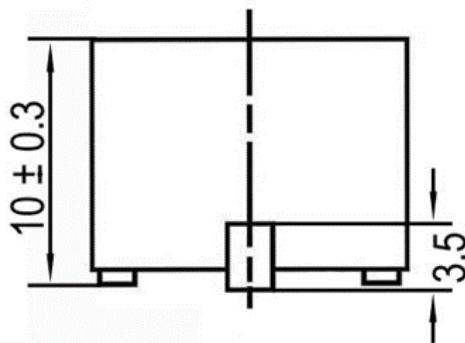
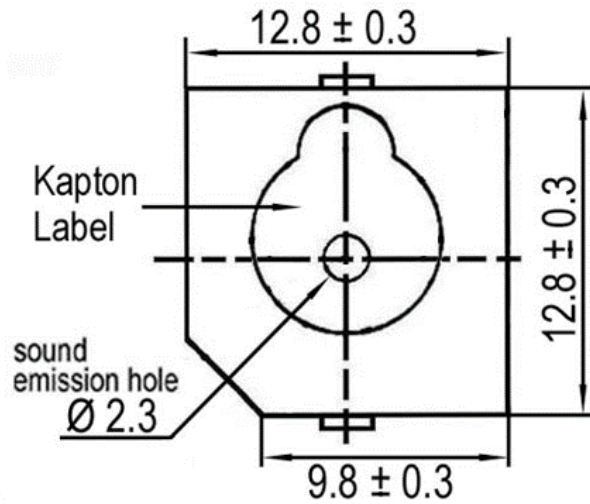
All dimensions stated are in mm

Tolerance:  $\pm 0.2\text{mm}$

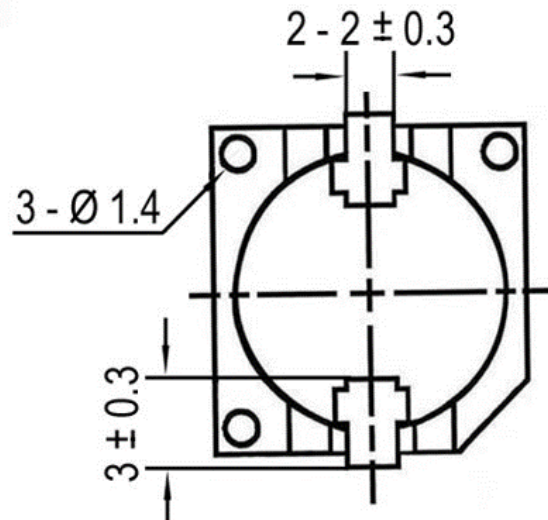
### SIDE VIEW



### TOP VIEW



### SIDE VIEW



### BOTTOM VIEW

## Revision History

Revision	Date	Description
1.0	2005/08	First release

FLEZON CONFIDENTIAL