



Magnetic Transducer Specification

Series HWT083A

Model Number: HWT083A3BLFMP

Version 1.0

Address: 28 Genting Lane, #08-07 Platinum 28, Singapore 349585

Tel: +65-6493 5035

Fax: +65-6493 5037

Website: <http://www.flezon.com>

Email: flezon@flezon.com

1. ELECTRICAL SPECIFICATIONS



Model No.: HWT083A3BLFMP

Description: MT TRANSDUCER 5V SMD LCP 2350Hz
SP LEAD FREE MATERIAL

<i>MODEL NO.</i>	<u>HWT083A3BLFMP</u>
<i>OPERATING VOLTAGE RANGE (V)</i>	2.5 ~ 4.5
<i>RATED VOLTAGE (V)</i>	3.6
+ <i>MAX. RATED CURRENT (mA)</i>	100.0
<i>COIL RESISTANCE (Ω)</i>	16.0 ± 3.0
+ <i>MIN. SOUND OUTPUT at 10cm (dBA)</i>	85
<i>RESONANT FREQUENCY (Hz)</i>	2730
<i>OPERATING TEMPERATURE (°C)</i>	- 40 ~ + 105
<i>TERMINAL</i>	SMD
<i>HOUSING MATERIAL</i>	LCP
<i>WEIGHT (g)</i>	Max. 0.5

+ Value applying rated voltage resonant frequency, 1/2 duty , square wave

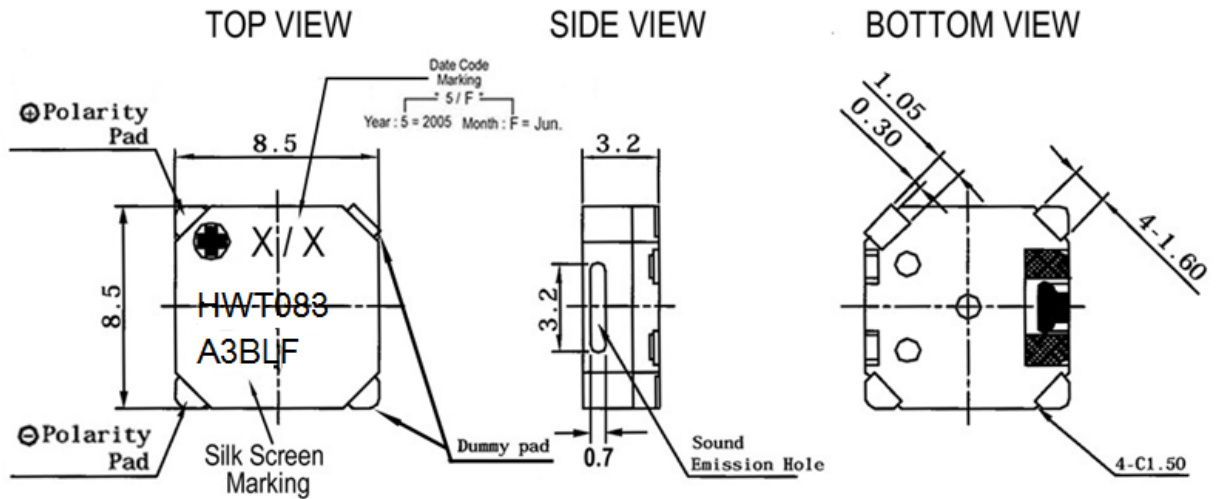
* Value applying resonant frequency, 1/2 duty , square wave , measuring current 60uA

2. PHYSICAL DIMENSION



All dimensions stated are in mm

Tolerance: $\pm 0.2\text{mm}$



FLEZON CONFIDENTIAL

Revision History

Revision	Date	Description
1.0	2006/02	Operating Temp. : -30 ~ +70 ° C change to -40 ~ + 105 ° C

FLEZON CONFIDENTIAL