



Magnetic Buzzer Specification

Series MFZ

Model Number: MFZ03FLFPN

Version 1.0

Address: 28 Genting Lane, #08-07 Platinum 28, Singapore 349585

Tel: +65-6493 5035

Fax: +65-6493 5037

Website: <http://www.flezon.com>

Email: flezon@flezon.com

ALL RIGHTS ARE STRICTLY RESERVED. ANY PORTION OF THIS PAPER SHALL NOT BE REPRODUCED, COPIED, OR TRANSLATED TO ANY OTHER FORMS WITHOUT PERMISSION FROM FLEXXON GLOBAL LIMITED.

1. ELECTRICAL SPECIFICATIONS

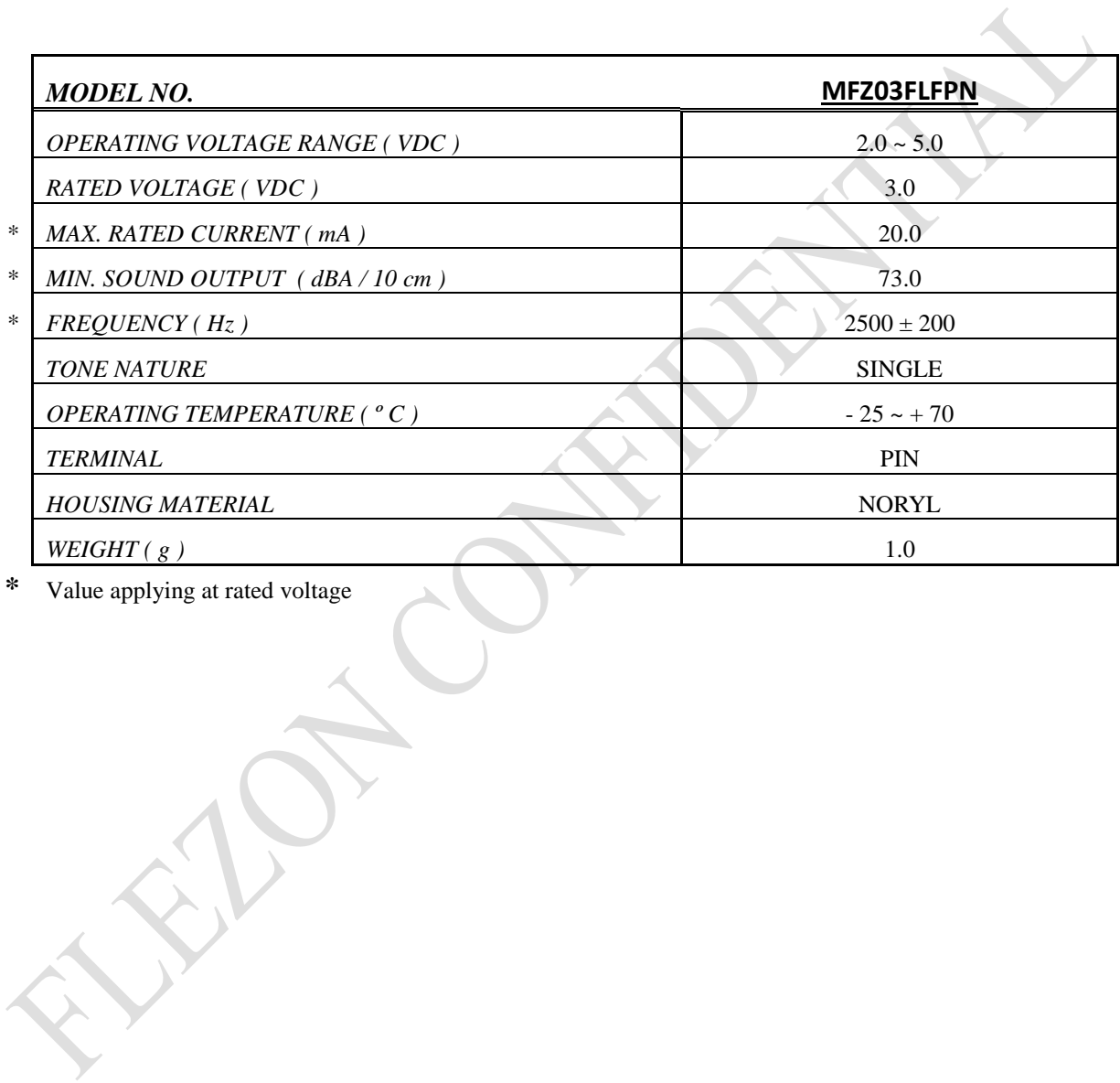


Model No.: MFZ03FLFPN

Description: MT BUZZER SINGLE 3VDC PIN NORYL RoHS

<i>MODEL NO.</i>	MFZ03FLFPN
<i>OPERATING VOLTAGE RANGE (VDC)</i>	2.0 ~ 5.0
<i>RATED VOLTAGE (VDC)</i>	3.0
* <i>MAX. RATED CURRENT (mA)</i>	20.0
* <i>MIN. SOUND OUTPUT (dBA / 10 cm)</i>	73.0
* <i>FREQUENCY (Hz)</i>	2500 ± 200
<i>TONE NATURE</i>	SINGLE
<i>OPERATING TEMPERATURE (°C)</i>	- 25 ~ + 70
<i>TERMINAL</i>	PIN
<i>HOUSING MATERIAL</i>	NORYL
<i>WEIGHT (g)</i>	1.0

* Value applying at rated voltage

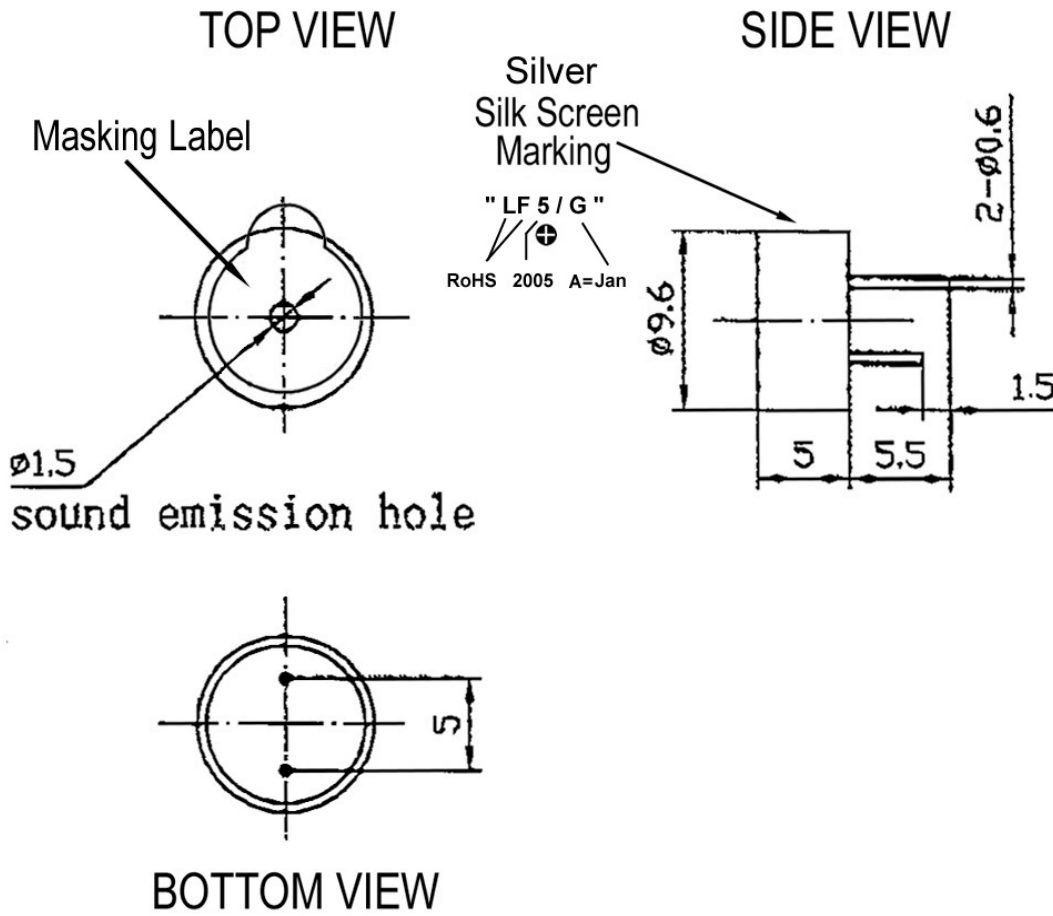


2. PHYSICAL DIMENSION



All dimensions stated are in mm

Tolerance: $\pm 0.5\text{mm}$



Revision History

Revision	Date	Description
1.0	2005/08	First release

FLEZON CONFIDENTIAL