



Mylar Speaker Specification

Series N36IH

Model Number: N36IH050008HLFSM

Version 1.0

Address: 28 Genting Lane, #08-07 Platinum 28, Singapore 349585

Tel: +65-6493 5035

Fax: +65-6493 5037

Website: <http://www.flezon.com>

Email: flezon@flezon.com

ALL RIGHTS ARE STRICTLY RESERVED. ANY PORTION OF THIS PAPER SHALL NOT BE REPRODUCED, COPIED, OR TRANSLATED TO ANY OTHER FORMS WITHOUT PERMISSION FROM FLEXXON GLOBAL LIMITED.

1. ELECTRICAL SPECIFICATIONS



Model No.: N36IH050008HLFSM

Description: MY 36D 4.9H 17B 80hm F0 = 500Hz SP RoHS

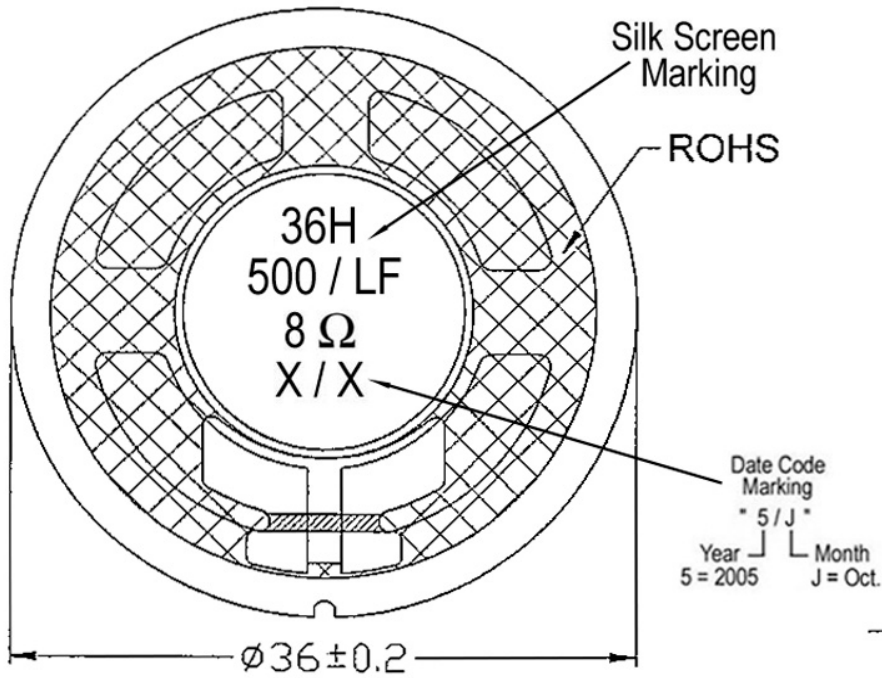
MODEL NO.	N36IH050008HLFSM	
SHAPE	ROUND	
MAGNET (N35)	mm	Ø 12.5 X 1.5
DIAMETER (D ± 0.2)	mm	Ø 36.0
HEIGHT (H ± 0.3)	mm	4.9
BACK DIA.(D ± 0.2)	mm	Ø 17.0
R. FREQUENCY ± 20 %	Hz	500
RESPONSE FREQ. F0 TO	Hz	10.0 K
RATED POWER	W	0.5
MAX POWER	W	0.8
OUTPUT (dB/0.5W(10 cm) AVE 0.8K,1.0K,1.2K,1.5K(Hz)	dB	90.0 ± 3.0
STANDARD IMPEDANCE ± 15 % AT 1V	Ω	8.0
TERMINAL	NIL	
BUZZER & RATTLES	2.0 V SINE WAVE	
DISTORTION	5.0% Max. (0.5 W 1.0 K Hz)	
OPERATING TEMPERATURE	°C	- 20.0 ~ + 55.0
HOUSING MATERIAL	METAL	
DIAPHRAGM MATERIAL	MYLAR	
WEIGHT	g	8.6 g

2. PHYSICAL DIMENSION

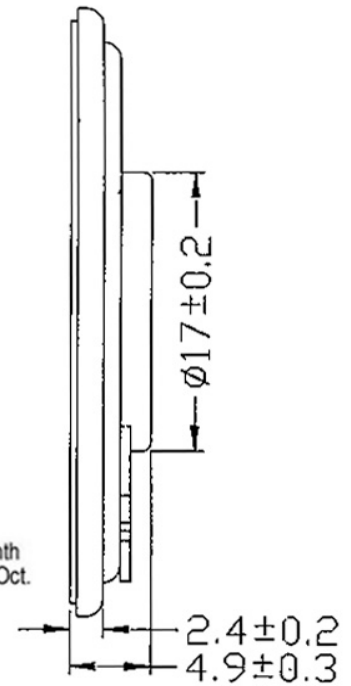


All dimensions stated are in mm

BOTTOM VIEW



SIDE VIEW



FLEZON



Revision History

Revision	Date	Description
1.0	2005.10	First Released

FLEZON CONFIDENTIAL