



Mylar Speaker Specification

Series N40IE

Model Number: N40IE060008LFSM

Version 1.0

Address: 28 Genting Lane, #08-07 Platinum 28, Singapore 349585

Tel: +65-6493 5035

Fax: +65-6493 5037

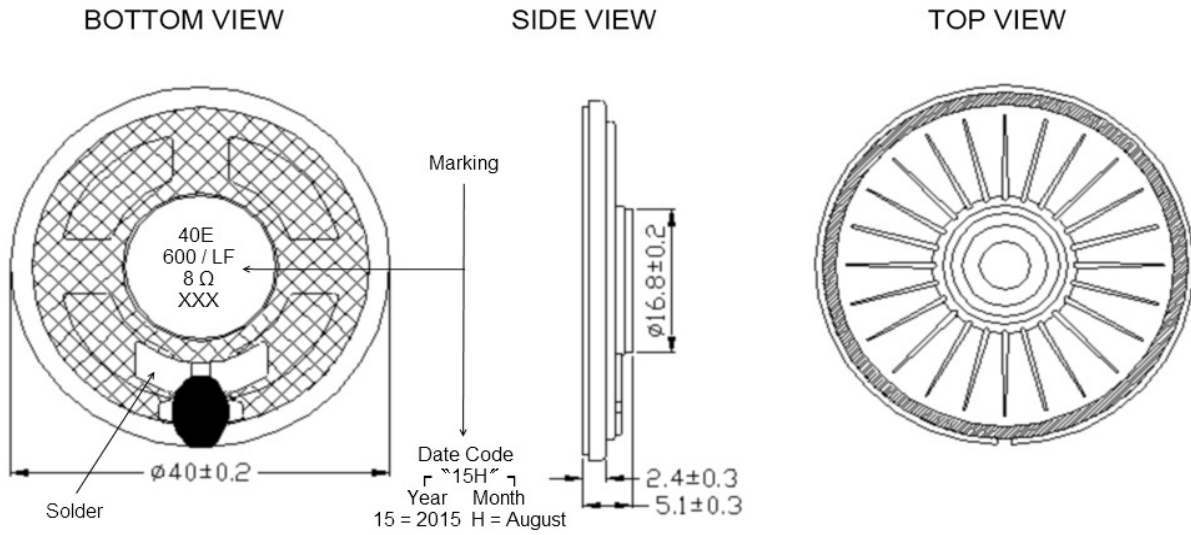
Website: <http://www.flezon.com>

Email: flezon@flezon.com

2. Specification

MODEL NO.	N40IE060008LFSM	
SHAPE	ROUND	
MAGNET (N35)	mm	Ø 12.5 X 1.5
DIAMETER ($D \pm 0.2$)	mm	Ø 40.0
HEIGHT ($H \pm 0.2$)	mm	5.1
BACK DIA.($D \pm 0.2$)	mm	Ø 16.8
R. FREQUENCY ± 20 %	Hz	600.0
RESPONSE FREQ. F0 TO	Hz	5.5 K
RATED POWER	W	1.0
MAX POWER	W	1.5
OUTPUT (dB/1W(1.0m) AVE 0.6 , 0.8 , 1.0 , 1.2K(Hz)	dB	85.0 \pm 3.0
STANDARD IMPEDANCE ± 15 % AT IV	Ω	8.0
TERMINAL	NIL	
BUZZER & RATTLES	2.83 V SINE WAVE	
DISTORTION	5.0% Max. (1.0 W , 1KHz)	
OPERATING TEMPERATURE	$^{\circ}\text{C}$	- 20.0 ~ + 60.0
STORAGE TEMPERATURE	$^{\circ}\text{C}$	- 30.0 ~ + 60.0
HOUSING MATERIAL	METAL	
DIAPHRAGM MATERIAL	MYLAR	
WEIGHT	g	9.1

3. Mechanical Draw



Unit: mm

Tolerance: ± 0.3 mm

FLEZON CONF

4. Change History

Version	Date	Description
1.0	2015.08	First Released

FLEZON CONFIDENTIAL